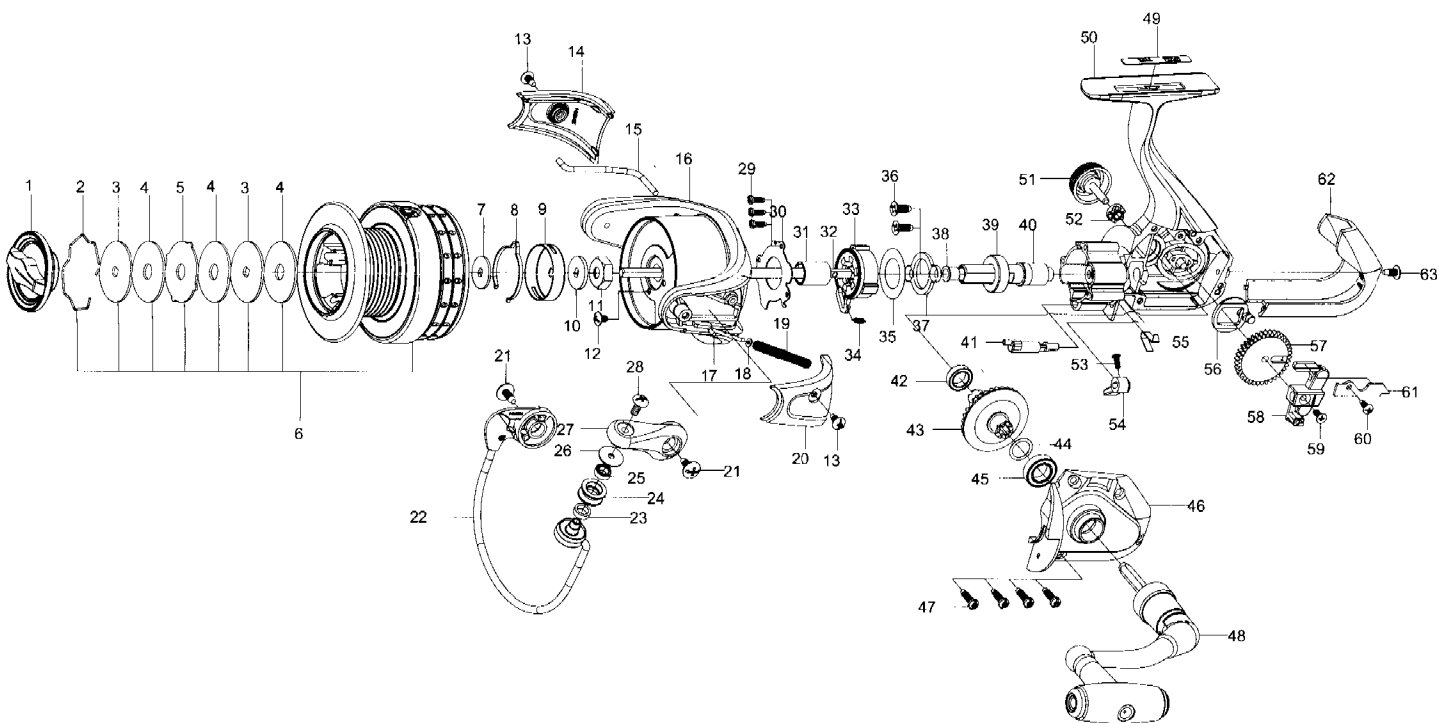




SPINNING REEL

SPINFOCUS

GU4000 / GU4500



KEY NO.	Parts No.	Parts name	KEY NO.	Parts No.	Parts name
1	2YD-094-07	DRAG KNOB ASSEMBLY	34	2Q2-021-01	SPRING
2	2E4-034-01	DRAG WASHER RETAINER	35	2W1-268-01	130-215 WASHER
3	2W2-071-01	KEY WASHER	36	2E1-077-01	F30-080 SCREW
4	2W1-226-01	080-260 WASHER	37	2F5-419-01	BEARING RETAINER
5	2W3-035-01	EARED WASHER	38	2C1-135-01	PINION GEAR BUSH
6	2YT-484-01	SPOOL TOTAL ASSEMBLY	39	2Z1-005-05	816-5 BALL BEARING
7	2W2-020-01	KEY WASHER	40	2G2-183-01	PINION GEAR
8	2L3-015-01	CLICK LEAF SPRING	41	2A2-117-01	ANTI-REVERSE CAM
9	2F8-019-02	CLICK LEAF SPRING HOLDER	42	2Z1-009-05	711-3 BALL BEARING
10	2W2-015-01	KEY WASHER	43	2G1-150-01	DRIVE GEAR
11	2E3-094-01	ROTOR NUT	44	2W1-035-00	080-105 WASHER
12	2E1-036-01	B26-040 SCREW	45	2Z1-023-05	814-4 BALL BEARING
13	2E1-015-02	B26-060 SCREW	46	2B2-140-01	BODY COVER
14	2R4-213-01	BAIL TRIP COVER	47	2E1-055-01	A26-100 SCREW
15	2R5-190-01	BAIL PAWL	48	2YH-347-02	HANDLE TOTAL ASSEMBLY
16	2R1-151-01	ROTOR	49	2N2-028-11	FOOT NAME PLATE
17	2R5-040-01	BAIL TRIP SHAFT	50	2B1-195-02	BODY
18	2W1-044-01	016-035 WASHER	51	2H6-017-01	HANDLE SCREW CAP
19	2Q1-132-02	BAIL SPRING	52	2C3-042-01	HANDLE SCREW SLEEVE
20	2R4-212-01	BAIL SPRING COVER	53	2E2-099-01	B20M-050 SCREW
21	2E1-025-01	b30-080 SCREW	54	2A1-037-01	ANTI-REVERSE LEVER
22	2YL-164-01	BAIL ASSEMBLY	55	2L5-010-01	ANTI-REVERSE CAM SPRING
23	2C2-032-01	LINE ROLLER BUSH	56	2M2-016-01	OSCILLATING CAM
24	2R6-020-01	LINE ROLLER	57	2G3-081-01	OSCILLATING GEAR
25	2Z1-012-05	407-2.5 BALL BEARING	58	2M1-081-01	OSCILLATING SILDER
26	2C1-034-01	LINE ROLLER COLLAR	59	2E2-009-02	F23M-060 SCREW
27	2R2-062-10	BAIL ARM	60	2E1-070-02	B22-065 SCREW
28	2E2-007-01	B30M-100 SCREW	61	2F6-130-01	CLUTCH PAWL RETAINER
29	2E1-050-01	A20-060 SCREW	62	2F5-463-01	REAR COVER
30	2F5-436-01	ROLLER CLUTCH RETAINER	63	2E1-015-02	B26-060 SCREW
31	2A4-082-01	ONE-WAY CLUTCH INNER TUBE	GU4500	SPECIAL PARTS	
32	2M3-167-01	MAIN SHAFT	6	2YT-485-01	SPOOL TOTAL ASSEMBLY
33	2YZ-027-01	ONE-WAY CLUTCH BEARING ASSEMBLY			