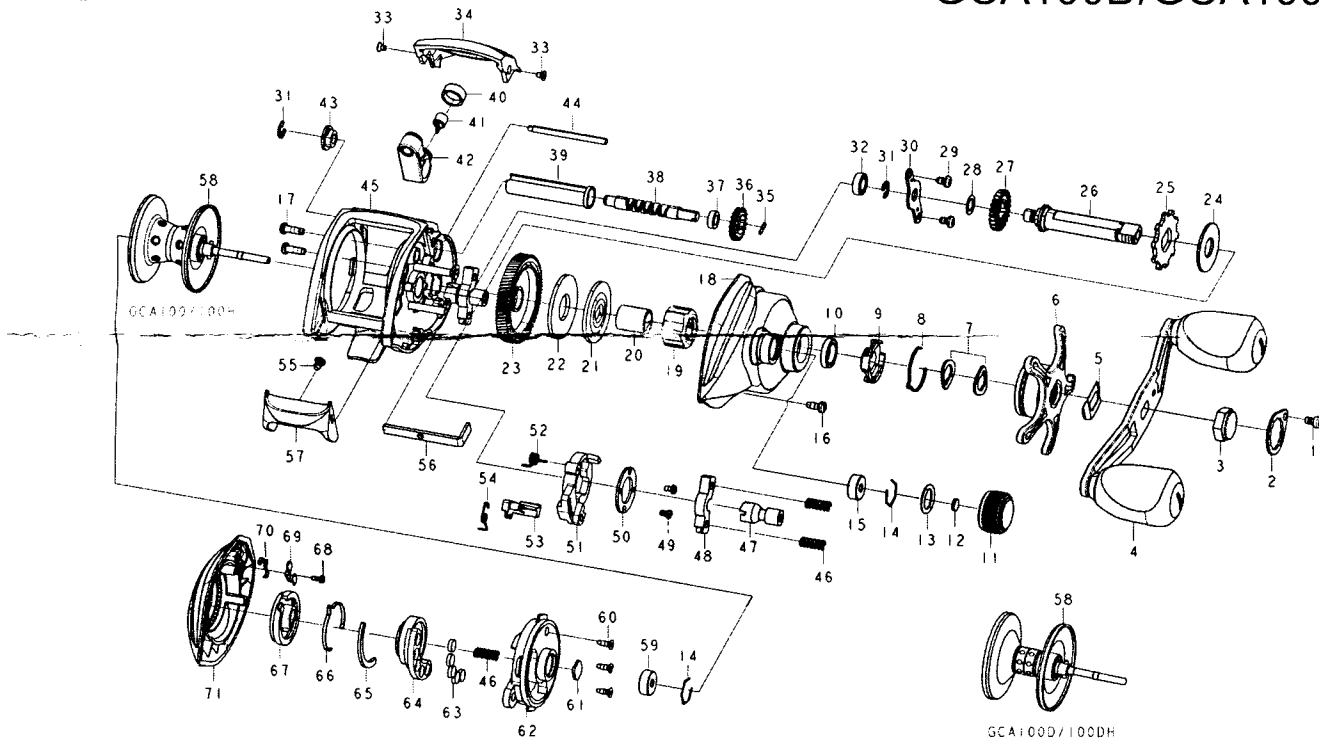


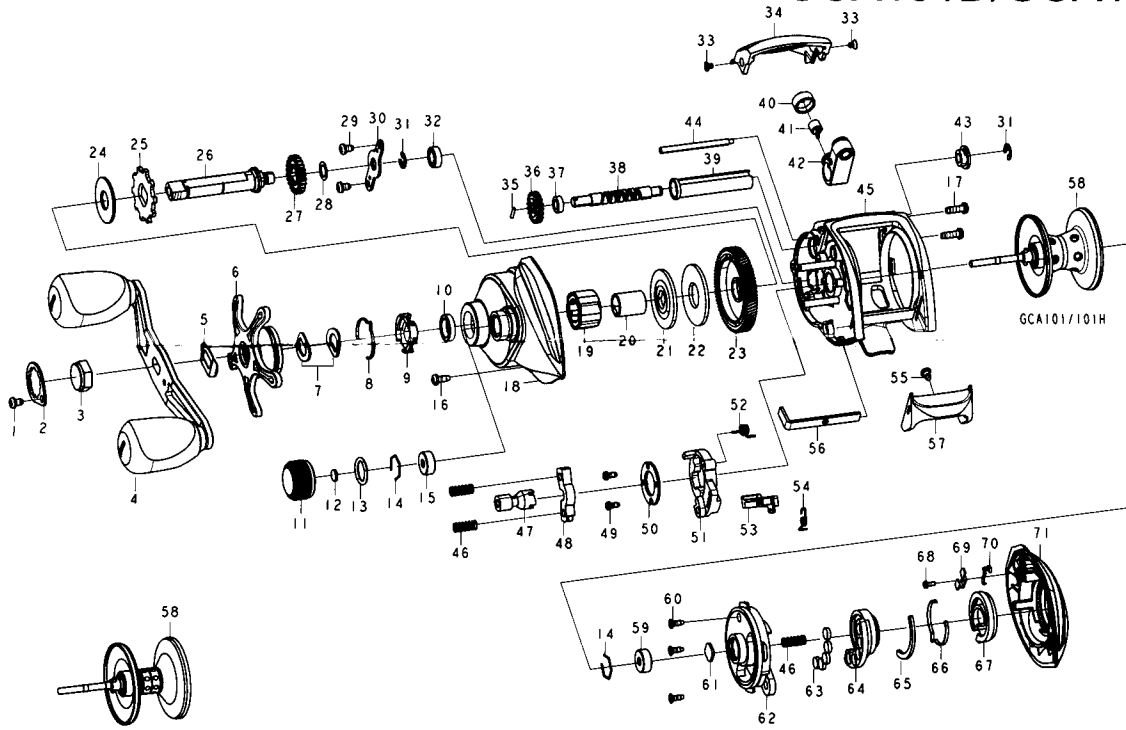


BAIT CASTING REEL

TACTICA

GCA100/GCA100H
GCA100D/GCA100DH

Key NO.	Parts No.	Parts name	Key NO.	Parts No.	Parts name
1	2E2-016-01	A26M-040 SCREW	45	2YB-290-01	BODY ASSEMBLY
2	2F6-142-01	ROTOR NUT HOLDING PLATE	46	2Q1-144-01	YOKE SPRING
3	2E3-101-01	NUT	47	2G2-201-02	PINION GEAR
4	2YH-531-01	HANDLE TOTAL ASSEMBLY	48	2A2-132-01	PINION YOKE
5	2L1-005-01	SPRING WASHER	49	2E2-050-01	A20M-035 SCREW
6	2YD-128-01	STAR DRAG LEVER ASSY	50	2F8-150-01	CLUTCH ARM PLATE
7	2L1-025-01	SPRING WASHER	51	2F8-152-01	CLUTCH ARM
8	2L3-058-01	CLICK LEAF SPRING	52	2Q3-131-01	CLUTCH ARM SPRING
9	2F8-147-01	CLICK LEAF SPRING HOLDER	53	2A4-102-01	RETURN PAWL
10	2Z1-024-06	812-2.5 BALL BEARING	54	2Q3-130-01	RETURN PAWL SPRING
11	2E3-100-01	CAST CONTROL NUT	55	2E1-071-01	B26-040 SCREW
12	2W5-091-01	CONTROL CAP COLLAR	56	2F6-143-01	CLUTCH PAWL
13	2E9-062-01	O RING	57	2S3-037-01	PUSH BUTTON
14	2E4-049-01	RETAINER	58	2YT-588-01	SPOOL TOTAL ASSEMBLY
15	2Z1-015-06	310-4 BALL BEARING	59	2Z1-015-05	310-4 BALL BEARING
16	2E2-037-01	A26M-060 SCREW	60	2E1-059-01	F20-060 SCREW
17	2E1-045-01	A26-080 SCREW	61	2W5-089-01	CAST CONTROL SPACER
18	2YF-193-01	RIGHT SIDE COVER ASSEMBLY	62	2F8-148-01	SPOOL COVER
19	2YZ-007-01	ONE-WAY CLUTCH BEARING ASSEMBLY	63	2D3-030-01	MAGNET
20	2A4-100-01	ONE-WAY CLUTCH INNER TUBE	64	2F8-149-01	MAGNET HOLDER
21	2W5-090-01	DRAG PLATE	65	2D3-087-01	MAGNET HOLDER PLATE
22	2W1-294-01	WASHER	66	2L3-060-01	CLICK LEAF SPRING
23	2G1-181-01	DRIVE GEAR	67	2D1-099-01	BRAKE ADJUSTING KNOB
24	2W1-293-01	WASHER	68	2E1-078-01	A15-040 SCREW
25	2A3-050-01	ANTI-REVERSE RATCHET	69	2F6-144-01	HOLDING PLATE
26	2M3-188-01	SPOOL SHAFT	70	2L5-027-01	OPEN COVER SPRING
27	2G3-106-01	IDLE GEAR	71	2YF-192-01	LEFT SIDE COVER ASSEMBLY
28	2W1-070-03	052-080 WASHER	GCA100H SPECIAL PARTS		
29	2E2-016-01	A26M-040 SCREW	6	2YD-128-03	STAR DRAG LEVER ASSY
30	2F6-141-01	DRIVE SHAFT RETAINER	23	2G1-179-01	DRIVE GEAR
31	2E5-013-01	E3.0 RETAINER	47	2G2-201-01	PINION GEAR
32	2Z1-017-06	509-3 BALL BEARING	71	2YF-192-02	LEFT SIDE COVER ASSEMBLY
33	2E2-103-01	F20M-030 SCREW	GCA100D SPECIAL PARTS		
34	2F5-534-01	BODY FRONT COVER	18	2YF-193-02	RIGHT SIDE COVER ASSEMBLY
35	2P1-076-01	WORM SHAFT PIN	58	2YT-608-01	SPOOL TOTAL ASSEMBLY
36	2G3-107-01	IDLE GEAR	71	2YF-192-03	LEFT SIDE COVER ASSEMBLY
37	2Z1-012-06	407-2.5 BALL BEARING	GCA100DH SPECIAL PARTS		
38	2M4-041-01	WORM SHAFT	6	2YD-128-03	STAR DRAG LEVER ASSY
39	2C4-030-01	LEVEL WIND GUARD	18	2YF-193-02	RIGHT SIDE COVER ASSEMBLY
40	2E3-099-01	LINE GUIDE NUT	23	2G1-179-01	DRIVE GEAR
41	2M5-010-01	LINE GUIDE PIN	47	2G2-201-01	PINION GEAR
42	2YR-076-01	LINE GUIDE ASSEMBLY	58	2YT-608-01	SPOOL TOTAL ASSEMBLY
43	2C2-132-01	WORM SHAFT BUSHING	71	2YF-192-04	LEFT SIDE COVER ASSEMBLY
44	2P4-017-01	OSCILLATING SLIDER PIN			



GCA101D/101DH

Key NO.

Parts No.

Parts name

1	2E2-016-01	A26M-040 SCREW
2	2F6-142-01	ROTOR NUT HOLDING PLATE
3	2E3-101-02	NUT
4	2YH-531-01	HANDLE TOTAL ASSEMBLY
5	2L1-005-01	SPRING WASHER
6	2YD-128-02	STAR DRAG LEVER ASSY
7	2L1-025-01	SPRING WASHER
8	2L3-058-01	CLICK LEAF SPRING
9	2F8-147-01	CLICK LEAF SPRING HOLDER
10	2Z1-024-06	812-2.5 BALL BEARING
11	2E3-100-01	CAST CONTROL NUT
12	2W5-091-01	CONTROL CAP COLLAR
13	2E9-062-01	O RING
14	2E4-049-01	RETAINER
15	2Z1-015-06	310-4 BALL BEARING
16	2E2-037-01	A26M-060 SCREW
17	2E1-045-01	A26-080 SCREW
18	2YF-190-01	LEFT SIDE COVER ASSEMBLY
19	2YZ-007-01	ONE-WAY CLUTCH BEARING ASSEMBLY
20	2A4-100-01	ONE-WAY CLUTCH INNER TUBE
21	2W5-090-01	DRAG PLATE
22	2W1-294-01	WASHER
23	2G1-182-01	DRIVE GEAR
24	2W1-293-01	WASHER
25	2A3-050-01	ANTI-REVERSE RATCHET
26	2M3-188-02	SPOOL SHAFT
27	2G3-106-01	IDLE GEAR
28	2W1-070-03	052-080 WASHER
29	2E2-016-01	A26M-040 SCREW
30	2F6-141-01	DRIVE SHAFT RETAINER
31	2E5-013-01	E3.0 RETAINER
32	2Z1-017-06	509-3 BALL BEARING
33	2E2-103-01	F20M-030 SCREW
34	2F5-530-01	BODY FRONT COVER
35	2P1-076-01	WORM SHAFT PIN
36	2G3-107-01	IDLE GEAR
37	2Z1-012-06	407-2.5 BALL BEARING
38	2M4-041-01	WORM SHAFT
39	2C4-030-01	LEVEL WIND GUARD
40	2E3-099-01	LINE GUIDE NUT
41	2M5-010-01	LINE GUIDE PIN
42	2YR-076-01	LINE GUIDE ASSEMBLY
43	2C2-132-01	WORM SHAFT BUSHING
44	2P4-017-01	OSCILLATING SLIDER PIN

Key NO.

Parts No.

Parts name

45	2YB-291-01	BODY ASSEMBLY
46	2Q1-144-01	YOKE SPRING
47	2G2-204-02	PINION GEAR
48	2A2-131-01	PINION YOKE
49	2E2-050-01	A20M-035 SCREW
50	2F8-150-01	CLUTCH ARM PLATE
51	2F8-151-01	CLUTCH ARM
52	2Q3-133-01	CLUTCH ARM SPRING
53	2A4-101-01	RETURN PAWL
54	2Q3-132-01	RETURN PAWL SPRING
55	2E1-071-01	B26-040 SCREW
56	2F6-143-01	CLUTCH PAWL
57	2S3-037-01	PUSH BUTTON
58	2YT-588-01	SPOOL TOTAL ASSEMBLY
59	2Z1-015-05	310-4 BALL BEARING
60	2E1-059-01	F20-060 SCREW
61	2W5-089-01	CAST CONTROL SPACER
62	2F8-148-01	SPOOL COVER
63	2D3-030-01	MAGNET
64	2F8-149-01	MAGNET HOLDER
65	2D3-087-01	MAGNET HOLDER PLATE
66	2L3-060-01	CLICK LEAF SPRING
67	2D1-099-01	BRAKE ADJUSTING KNOB
68	2E1-078-01	A15-040 SCREW
69	2F6-144-01	HOLDING PLATE
70	2L5-027-01	OPEN COVER SPRING
71	2YF-191-01	RIGHT SIDE COVER ASSEMBLY
GCA101H SPECIAL PARTS		
6	2YD-128-04	STAR DRAG LEVER ASSY
23	2G1-180-01	DRIVE GEAR
47	2G2-204-01	PINION GEAR
71	2YF-191-02	RIGHT SIDE COVER ASSEMBLY
GCA101D SPECIAL PARTS		
18	2YF-190-02	LEFT SIDE COVER ASSEMBLY
58	2YT-608-01	SPOOL TOTAL ASSEMBLY
71	2YF-191-03	RIGHT SIDE COVER ASSEMBLY
GCA101DH SPECIAL PARTS		
6	2YD-128-04	STAR DRAG LEVER ASSY
18	2YF-190-02	LEFT SIDE COVER ASSEMBLY
23	2G1-180-01	DRIVE GEAR
47	2G2-204-01	PINION GEAR
58	2YT-608-01	SPOOL TOTAL ASSEMBLY
71	2YF-191-04	RIGHT SIDE COVER ASSEMBLY