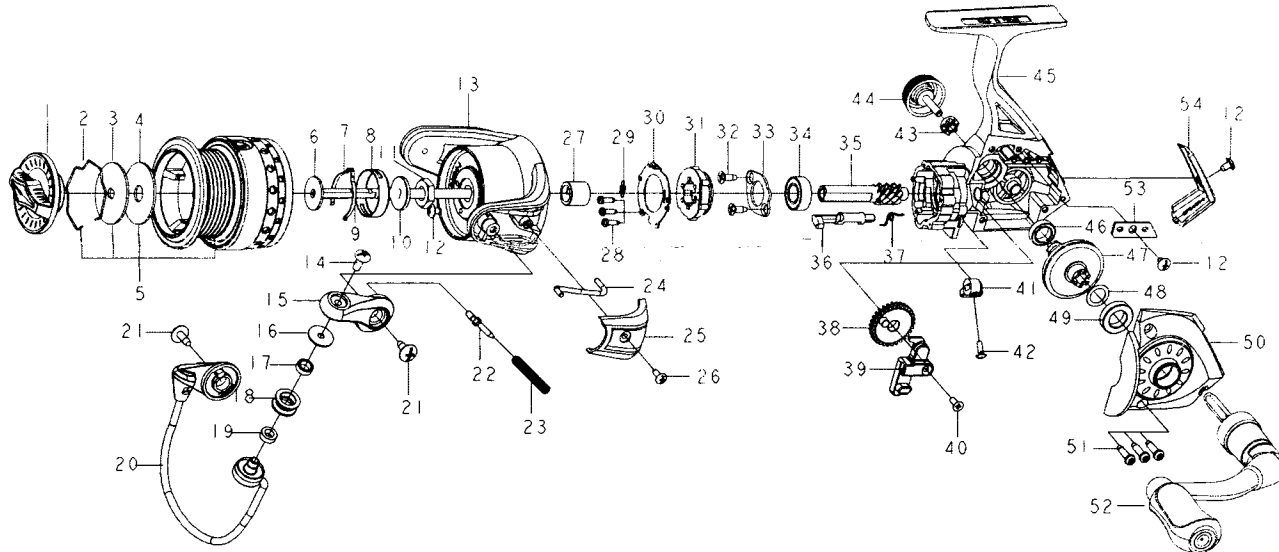




SPINNING REEL

GALANT
Spin-X

GP2000(I) / GP2500(I)

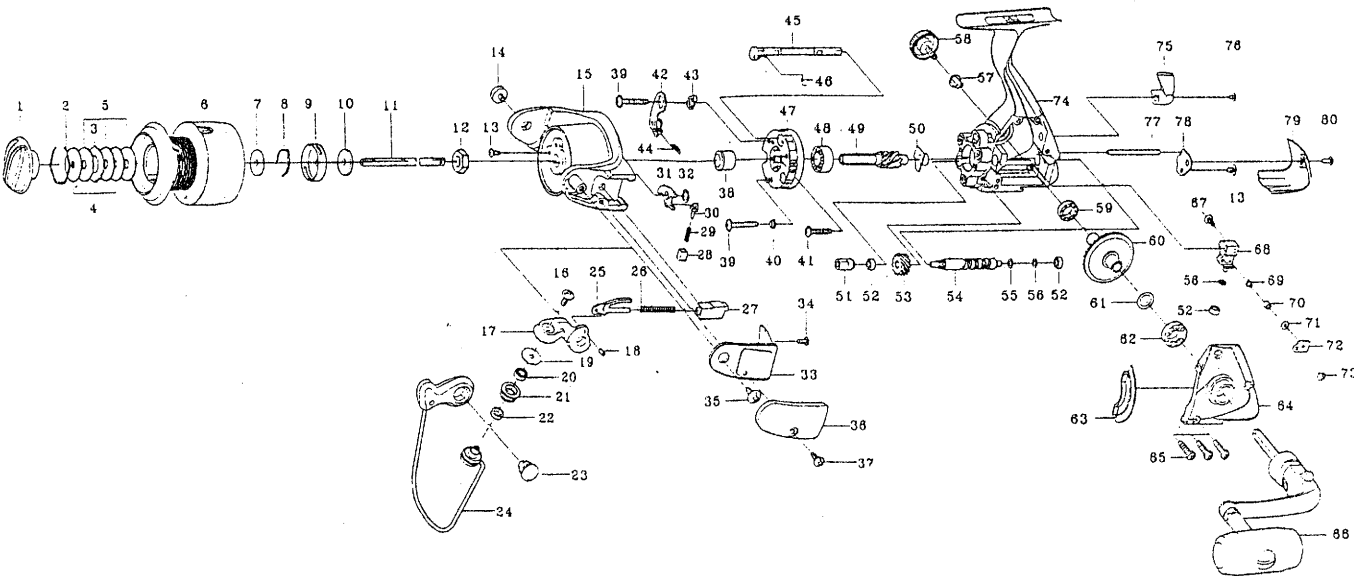


Key NO.	Parts No.	Parts name	Key NO.	Parts No.	Parts name
1	2YD-089-01	DRAG KNOB ASSEMBLY	29	2Q2-016-01	SPRING
2	2E4-034-01	DRAG WASHER RETAINER	30	2F5-398-01	ROLLER CLUTCH RETAINER
3	2W2-071-01	KEY WASHER	31	2YZ-019-01	ONE-WAY CLUTCH BEARING ASSEMBLY
4	2W1-226-02	060-260 WASHER	32	2E1-063-01	F26-070 SCREW
5	2YT-527-02	SPOOL TOTAL ASSEMBLY	33	2F5-212-01	BEARING RETAINER
6	2W2-020-01	KEY WASHER	34	2Z1-003-05	714-5 BALL BEARING
7	2L3-014-01	CLICK LEAF SPRING	35	2G2-131-01	PINION GEAR
8	2F8-013-01	CLICK LEAF SPRING HOLDER	36	2A2-088-01	ANTI-REVERSE CAM
9	2M3-172-01	MAIN SHAFT	37	2Q3-102-01	ANTI-REVERSE SPRING
10	2W2-015-01	KEY WASHER	38	2G3-102-01	OSCILLATING GEAR
11	2E3-007-01	ROTOR NUT	39	2M1-084-01	OSCILLATING SILDER
12	2E1-036-01	B26-040 SCREW	40	2E2-009-02	F23M-060 SCREW
13	2R1-164-02	ROTOR	41	2A1-034-02	ANTI-REVERSE LEVER
14	2E2-018-03	B30M-080 SCREW	42	2E2-013-02	B20M-060 SCREW
15	2R2-079-02	BAIL ARM	43	2C3-042-01	HANDLE SCREW SLEEVE
16	2C1-034-01	LINE ROLLER COLLAR	44	2H6-017-01	HANDLE SCREW CAP
17	2Z1-012-05	407-2.5 BALL BEARING	45	2YB-269-02	BODY ASSEMBLY
18	2R6-020-02	LINE ROLLER	46	2Z1-009-05	711-3 BALL BEARING
19	2C2-032-01	LINE ROLLER BUSH	47	2G1-069-01	DRIVE GEAR
20	2YL-193-01	BAIL ASSEMBLY	48	2W1-019-00	071-103 WASHER
21	2E1-025-01	b30-080 SCREW	49	2Z1-004-05	814-3.5 BALL BEARING
22	2R5-203-01	BAIL TRIP SHAFT	50	2B2-145-02	BODY COVER
23	2Q1-141-01	BAIL SPRING	51	2E1-055-01	A26-100 SCREW
24	2R5-204-01	BAIL PAWL	52	2YH-492-02	HANDLE TOTAL ASSEMBLY
25	2R4-219-02	BAIL SPRING COVER	53	2F6-137-01	OSCILLATING SILDER GUIDE
26	2E1-065-01	B22-065 SCREW	54	2F5-467-02	REAR COVER
27	2A4-021-01	ONE-WAY CLUTCH INNER TUBE	GP2500 (I) SPECIAL PARTS		
28	2E1-050-01	A20-060 SCREW	5	2YT-528-02	SPOOL TOTAL ASSEMBLY

Please order by parts number, not key number
Bitte, Best.-Nr. angeben (Nicht "key" -nr.)
Veuillez indiquer le numero de la piece (Non "key" no.)



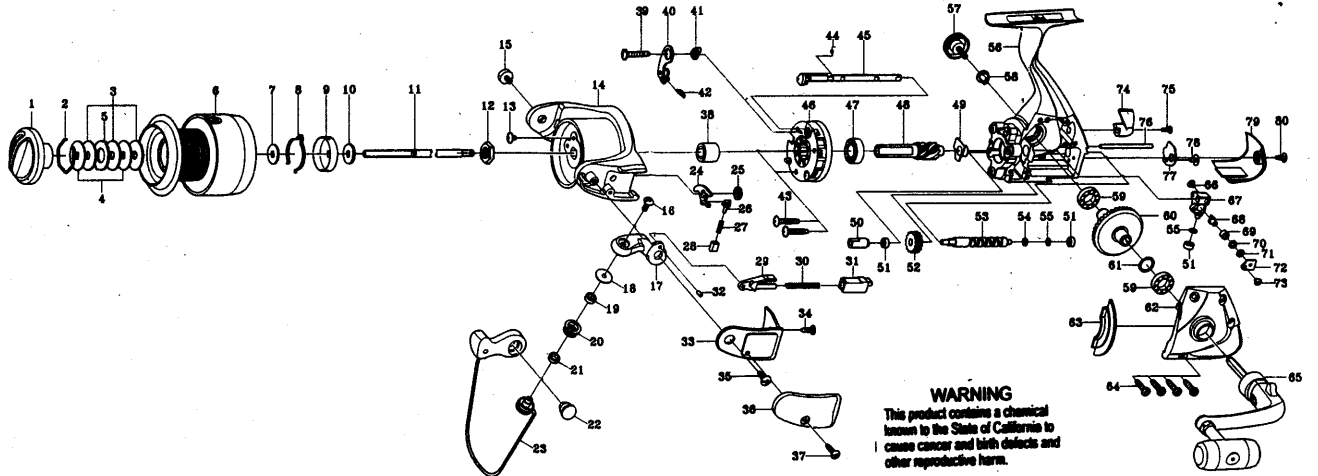
SPINNING REEL CAMRY GP3000/3500



Key NO.	Parts No.	Parts name	Key NO.	Parts No.	Parts name
2-6	2YT-124-01	SPOOL ASSEMBLY	44	2Q2-008-01	CLICK PAWL SPRING
1	2YD-024-04	DRAG KNOB ASSEMBLY	45	2A2-028-01	ANTI-REVERSE CAM
	2E4-009-01	DRAG WASHER RETAINER	46	2Q3-009-01	ANTI-REVERSE SPRING
	2W3-014-01	EARED WASHER	47	2YZ-003-01	ONEWAY CLUTCH BEARING ASSY
	2W2-013-01	KEY WASHER	48	2Z1-003-01	714-5 BALL BEARING
	2W1-052-01	O50-187 WASHER	49	2G2-042-01	PINION GEAR
5	2YS-063-01	SPOOL ASSEMBLY	50	2C2-033-01	PINION GEAR BUSHING
6	2W2-020-01	KEY WASHER	51	2C2-037-01	WORM SHAFT BUSHING C
7	2L3-014-01	SPOOL CLICK LEAF SPRING	52	2Z1-014-01	306-2.5 BALL BEARING
8	2F8-013-01	CLICK LEAF SPRING HOLDER	53	2G3-019-01	OSCILLATING GEAR
9	2W2-015-01	KEY WASHER	54	2M4-009-01	WORM SHAFT
10	2M3-040-01	MAIN SHAFT	55	2W1-058-02	030-050 WASHER
11	2E3-007-01	NUT	56	2W1-058-03	030-050 WASHER
12	2E1-036-01	B26-040 SCREW	57	2C3-017-01	HANDLE SCREW SLEEVE
13	2E0-008-02	BAIL HOLDER SCREW	58	2H6-001-02	HANDLE SCREW CAP
14	2YR-030-02	ROTOR ASSEMBLY	59	2Z1-009-01	711-3 BALL BEARING
15	2E2-018-02	B30M-080 SCREW	60	2G1-026-01	DRIVE GEAR
16	2R2-024-02	BAIL ARM	61	2W1-035-00	080-105 WASHER
17	2P1-012-01	BAIL ARM PIN	62	2Z1-004-01	814-3.5 BALL BEARING
18	2C1-034-01	LINE ROLLER COLLAR	63	2B4-005-02	BODY COVER FLANGE
19	2Z1-012-01	407-2.5 BALL BEARING	64	2YC-088-01	BODY COVER ASSEMBLY
20	2R6-012-01	LINE ROLLER	65	2E1-031-02	A26-140 SCREW
21	2C2-032-01	LINE ROLLER BUSHING	66	2YH-075-01	HANDLE ASSEMBLY
22	2E3-019-01	BAIL HOLDER NUT	67	2E2-009-01	F23M-060 SCREW
23	2YL-069-02	BAIL ASSEMBLY	68	2M1-025-01	OSCILLATING SLIDER
24	2R5-064-01	BAIL TRIP SHAFT	69	2M5-001-01	LINE GUIDE PIN
25	2Q1-042-01	BAIL SPRING	70	2C2-034-01	LINE GUIDE PIN COLLAR
26	2C2-046-01	BUSHING	71	2W1-059-01	020-049 WASHER
27	2C2-019-01	BAIL TRIP SPRING HOLDER	72	2F5-083-01	OSCILLATING SLIDER COVER
28	2Q1-022-01	BAIL TRIP SPRING	73	2E2-022-01	B20M-030 SCREW
29	2R5-051-01	BAIL TRIP SPRING SHAFT	74	2YB-085-01	BODY ASSEMBLY
30	2R5-063-01	BAIL TRIP LEVER	75	2A1-025-01	ANTI-REVERSE LEVER
31	2W1-106-01	047-070 WASHER	76	2E2-013-03	B20M-060 SCREW
32	2R4-076-02	BAIL SPRING COVER	77	2P1-025-01	OSCILLATING SLIDER PIN
33	2E1-020-01	B22-055 SCREW	78	2F5-084-01	WORM SHAFT COVER
34	2E1-025-01	b30-080 SCREW	79	2F5-087-02	REAR COVER
35	2F5-073-02	BAIL SPRING COVER	80	2E1-020-01	B22-055 SCREW
36	2E1-046-02	B26-110 SCREW			
	2A4-021-01	ONEWAY CLUTCH INNER TUBE	GP3500	SPECIAL PARTS	
39	2E1-049-01	D26-170 SCREW	2-6	2YT-129-01	SPOOL ASSEMBLY
40	2C1-035-01	COLLAR	6	2YS-069-01	SPOOL ASSEMBLY
41	2E1-027-01	B26-140 SCREW	15	2YR-033-02	ROTOR ASSEMBLY
42	2YA-008-01	CLICK TRIP LEVER ASSEMBLY	24	2YL-073-02	BAIL ASSEMBLY
43	2F8-012-01	ANTI-REVERSE SPRING ANCHOR	31	2R5-066-01	BAIL TRIP LEVER
			33	2R4-081-02	BAIL SPRING COVER



SPINNING REEL CAMRY GP4000/4500



WARNING
 This product contains a chemical known to the State of California to cause cancer and birth defects and other reproductive harm.

Key NO.	Parts No.	Parts name	Key NO.	Parts No.	Parts name
2-6	2YT-123-01	SPOOL ASSEMBLY	44	2Q3-009-01	ANTI-REVERSE SPRING
1	2YD-030-02	DRAG KNOB ASSEMBLY	45	2A2-027-01	ANTI-REVERSE CAM
2	2E4-009-01	DRAG WASHER RETAINER	46	2YZ-006-01	ONEWAY CLUTCH BEARING ASSY
3	2W1-052-01	050-187 WASHER	47	2Z1-005-01	816-5 BALL BEARING
4	2W2-005-01	KEY WASHER	48	2G2-041-01	PINION GEAR
5	2W3-003-01	EARED WASHER	49	2C2-048-01	PINION GEAR BUSHING
6	2YS-062-01	SPOOL ASSEMBLY	50	2C2-049-01	WORM SHAFT BUSHING
7	2W2-023-01	KEY WASHER	51	2Z1-014-01	306-2.5 BALL BEARING
8	2L3-018-01	SPOOL CLICK LEAF SPRING	52	2G3-018-01	OSCILLATING GEAR
9	2F8-027-01	CLICK LEAF SPRING HOLDER	53	2M4-008-01	WORM SHAFT
10	2W2-024-01	KEY WASHER	54	2W1-058-02	030-050 WASHER
11	2M3-039-01	MAIN SHAFT	55	2W1-058-03	030-050 WASHER
12	2E3-002-01	ROTOR NUT	56	2YB-092-01	BODY ASSEMBLY
13	2E1-028-01	B26-050 SCREW	57	2H6-001-02	HANDLE SCREW CAP
14	2YR-029-02	ROTOR ASSEMBLY	58	2C3-023-01	HANDLE SCREW SLEEVE
15	2E0-008-02	BAIL HOLDER SCREW	59	2Z1-004-01	814-3.5 BALL BEARING
16	2E2-018-02	B30M-080 SCREW	60	2G1-025-01	DRIVE GEAR
17	2R2-023-02	BAIL ARM	61	2W1-035-00	080-105 WASHER
18	2C1-034-01	LINE ROLLER COLLAR	62	2YC-085-01	BODY COVER ASSEMBLY
19	2Z1-012-02	407-2.5 BALL BEARING	63	2B4-004-02	BODY COVER FLANGE
20	2R6-012-01	LINE ROLLER	64	2E1-006-03	A30-130 SCREW
21	2C2-032-01	LINE ROLLER BUSHING	65	2YH-078-01	HANDLE ASSEMBLY
22	2E3-019-01	BAIL HOLDER NUT	66	2E2-009-01	F23M-060 SCREW
23	2YL-068-02	BAIL ASSEMBLY	67	2M1-024-01	OSCILLATING SLIDER
24	2R5-062-01	BAIL TRIP LEVER	68	2M5-004-01	LINE GUIDE PIN
25	2W1-054-02	052-080 WASHER	69	2C2-034-01	LINE GUIDE PIN COLLAR
26	2R5-051-01	BAIL TRIP SPRING SHAFT	70	2W1-107-02	030-050 WASHER
27	2Q1-022-01	BAIL TRIP SPRING	71	2W1-059-01	020-049 WASHER
28	2C2-019-01	BAIL TRIP SPRING HOLDER	72	2F5-083-01	OSCILLATING SLIDER COVER
29	2R5-061-01	BAIL TRIP SHAFT	73	2E2-022-01	B20M-030 SCREW
30	2Q1-038-01	BAIL SPRING	74	2A1-025-01	ANTI-REVERSE LEVER
31	2C2-047-01	BUSHING	75	2E2-013-03	B20M-060 SCREW
32	2P1-016-01	BAIL ARM PIN	76	2P1-024-01	OSCILLATING SLIDER PIN
33	2R4-077-02	BAIL SPRING COVER	77	2F5-078-01	WORM SHAFT COVER
34	2E1-016-03	B26-080 SCREW	78	2E1-036-01	B26-040 SCREW
35	2E1-010-01	b30-100 SCREW	79	2F5-080-02	REAR COVER
36	2F5-076-02	BAIL SPRING COVER	80	2E1-016-03	B26-080 SCREW
37	2E1-046-02	B26-110 SCREW	GP4500 SPECIAL PARTS		
38	2A4-026-01	ONEWAY CLUTCH INNER TUBE	2-6	2YT-125-01	SPOOL ASSEMBLY
39	2E1-044-01	D30-180 SCREW	6	2YS-064-01	SPOOL ASSEMBLY
40	2YA-012-01	CLICK TRIP LEVER ASSEMBLY	14	2YR-041-02	ROTOR ASSEMBLY
41	2F8-012-01	ANTI-REVERSE SPRING ANCHOR	23	2YL-071-02	BAIL ASSEMBLY
42	2Q2-008-01	CLICK PAWL SPRING	24	2R5-065-01	BAIL TRIP LEVER
43	2E1-043-01	B30-165 SCREW	33	2R4-078-02	BAIL SPRING COVER