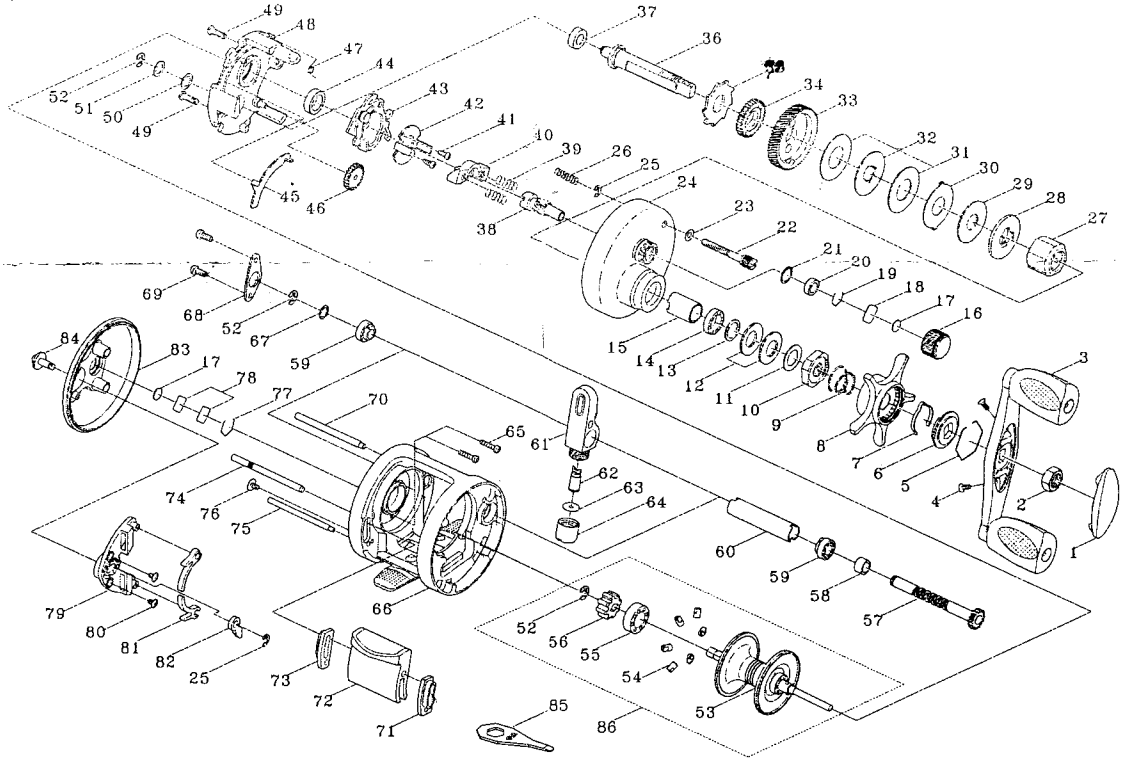


BAIT CASTING REEL

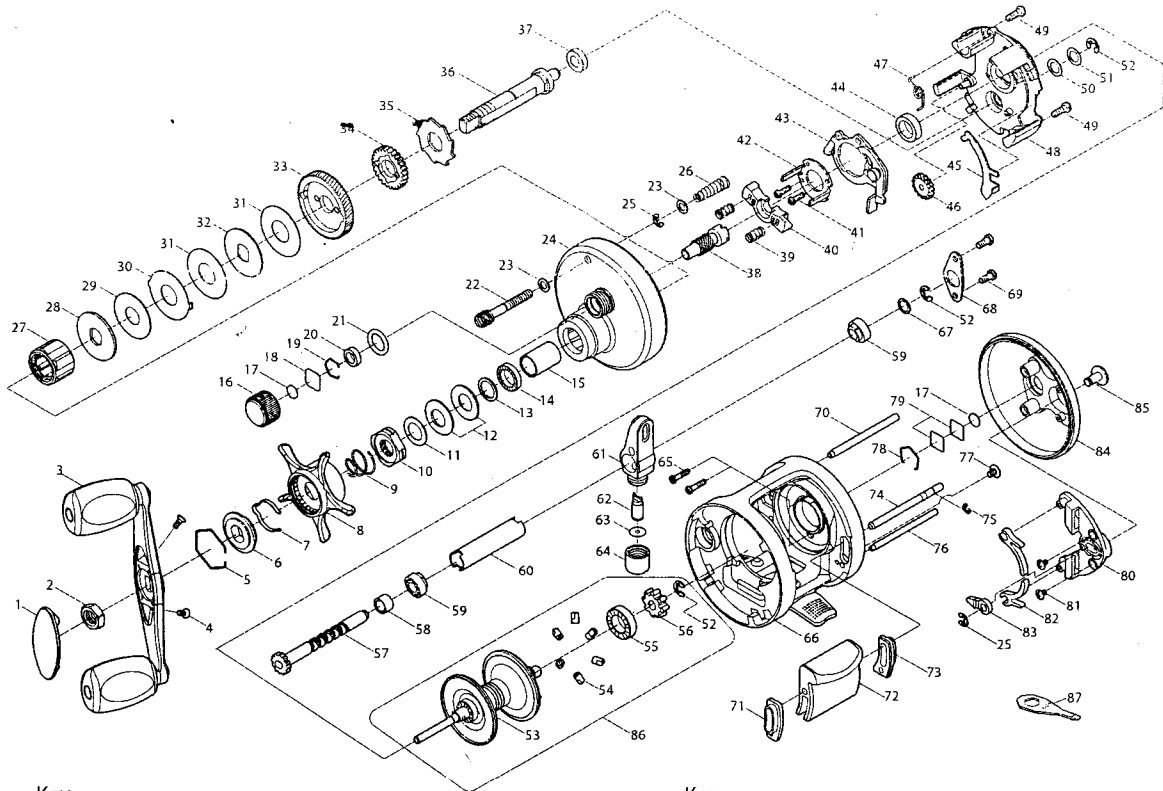
Samira K Series

KL100

Please order by parts number, not key number
 Bitte Best.-Nr. angeben, nicht "key"-nr.
 Veuillez indiquer le numero de la piece (Non "key" no.)



| Key No. | Parts No. | Parts Name | Key No. | Parts No. | Parts Name |
|---------|------------|---------------------------------|---------|------------|-----------------------|
| 1 | 2F5-097-02 | HANDLE NUT CAP | 44 | 2Z2-021-01 | BUSHING |
| 2 | 2E3-016-01 | NUT | 45 | 2M2-017-01 | CLUTCH PLATE |
| 3 | 2YH-084-02 | HANDLE TOTAL ASSEMBLY | 46 | 2G3-022-01 | IDLE GEAR |
| 4 | 2E2-030-02 | F20M-050 SCREW | 47 | 2Q3-086-01 | RETRACTOR SPRING |
| 5 | 2E4-018-01 | RETAINER | 48 | 2F8-016-01 | GEAR SETTING PLATE |
| 6 | 2F8-050-01 | CLICK LEAF SPRING HOLDER | 49 | 2E2-031-01 | A26M-075 SCREW |
| 7 | 2L3-029-01 | CLICK LEAF SPRING | 50 | 2W1-054-01 | 052-080 WASHER |
| 8 | 2D4-008-03 | STAR DRAG LEVER | 51 | 2W1-070-01 | 052-080 WASHER |
| 9 | 2Q1-052-01 | STAR DRAG SPRING | 52 | 2E5-013-01 | E3.0 RETAINER |
| 10 | 2E3-029-01 | STAR DRAG NUT | 53 | 2Y5-061-03 | SPOOL ASSEMBLY |
| 11 | 2W1-020-01 | 081-130 WASHER | 54 | 2C2-057-01 | BRAKE COLLAR |
| 12 | 2L1-004-01 | SPRING WASHER | 55 | 2Z1-023-01 | 814-4 BALL BEARING |
| 13 | 2W1-035-05 | 080-105 WASHER | 56 | 2F3-037-01 | CLICK GEAR |
| 14 | 2Z1-024-05 | 812-2.5 BALL BEARING | 57 | 2YM-041-01 | WORM SHAFT ASSEMBLY |
| 15 | 2A4-022-01 | ONE-WAY CLUTCH INNER TUBE | 58 | 2C1-059-01 | SPACER |
| 16 | 2E3-024-01 | CAST CONTROL NUT | 59 | 2C2-042-01 | WORM SHAFT BUSH |
| 17 | 2W5-026-01 | SPACER | 60 | 2C4-015-01 | LEVEL WIND GUARD |
| 18 | 2W5-029-01 | CAST CONTROL SPACER | 61 | 2YR-038-01 | LINE GUIDE ASSEMBLY |
| 19 | 2E4-019-01 | BEARING RETAINER | 62 | 2M5-005-01 | LINE GUIDE PIN |
| 20 | 2C2-003-01 | LINE ROLLER BUSH | 63 | 2W1-100-01 | 020-068 WASHER |
| 21 | 2E9-005-01 | O RING | 64 | 2E3-014-01 | LINE GUIDE NUT |
| 22 | 2E0-011-01 | RIGHT SIDE COVER SCREW | 65 | 2E2-034-01 | A20M-090 SCREW |
| 23 | 2W1-132-01 | 036-060 WASHER | 66 | 2YB-096-10 | BODY ASSEMBLY |
| 24 | 2YF-034-23 | RIGHT SIDE COVER ASSEMBLY | 67 | 2W1-046-01 | 051-068 WASHER |
| 25 | 2E5-006-01 | E2.5 RETAINER | 68 | 2F6-050-01 | BEARING HOLDING PLATE |
| 26 | 2Q1-056-01 | RIGHT SIDE COVER SCREW SPRING | 69 | 2E2-037-01 | A26M-060 SCREW |
| 27 | 2YZ-007-01 | ONE-WAY CLUTCH BEARING ASSEMBLY | 70 | 2P4-006-02 | LEVEL WIND GUIDE |
| 28 | 2W2-032-01 | KEY WASHER | 71 | 2C4-013-02 | CASTING BAR GUIDE A |
| 29 | 2W1-126-02 | 082-210 WASHER | 72 | 2Y5-085-03 | CASTING BAR ASSEMBLY |
| 30 | 2W3-017-01 | EARED WASHER | 73 | 2C4-014-02 | CASTING BAR GUIDE B |
| 31 | 2W1-111-02 | 100-230 WASHER | 74 | 2P2-021-01 | CASTING BAR PIN |
| 32 | 2W2-025-01 | KEY WASHER | 75 | 2P4-008-02 | CASTING BAR SUPPORT |
| 33 | 2G1-027-01 | DRIVE GEAR | 76 | 2E2-003-01 | B26M-036 SCREW |
| 34 | 2YG-023-01 | OSCILLATING GEAR ASSEMBLY | 77 | 2E4-011-01 | BEARING RETAINER |
| 35 | 2A3-027-01 | RATCHET | 78 | 2W5-015-01 | CAST CONTROL SPACER |
| 36 | 2M3-048-01 | DRIVE SHAFT | 79 | 2F6-055-01 | CLICK PLATE |
| 37 | 2Z1-018-05 | 510-3 BALL BEARING | 80 | 2E2-022-01 | B20M-030 SCREW |
| 38 | 2G2-010-01 | PINION GEAR | 81 | 2F2-020-01 | CLICK SPRING |
| 39 | 2Q1-031-01 | YOKE SPRING | 82 | 2F4-018-01 | CLICK PAWL |
| 40 | 2A2-039-01 | PINION YOKE | 83 | 2F5-123-10 | LEFT SIDE COVER |
| 41 | 2E2-047-01 | A20M-065 SCREW | 84 | 2F7-004-01 | CLICK SWITCH |
| 42 | 2F8-030-01 | CLUTCH CAM RETAINER | 85 | 2X3-004-01 | WRENCH |
| 43 | 2YA-018-01 | CLUTCH CAM ASSEMBLY | 86 | 2YT-144-03 | SPOOL TOTAL ASSEMBLY |

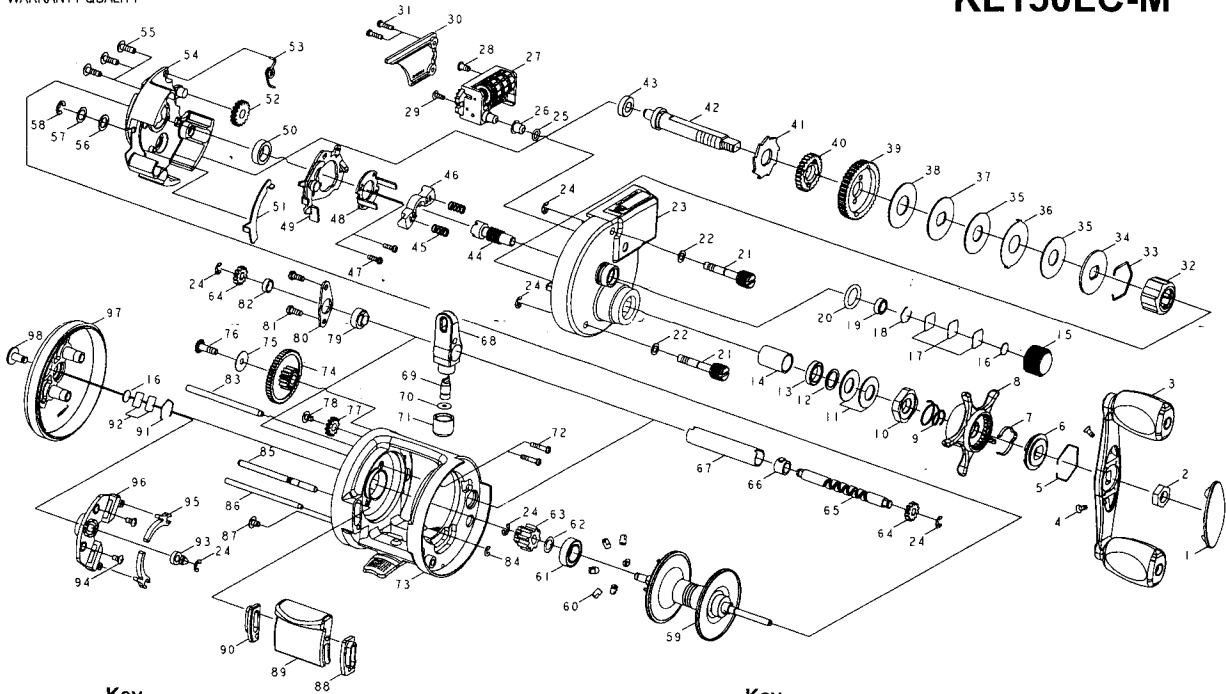


| Key NO. | Parts No. | Parts name | Key NO. | Parts No. | Parts name |
|---------|------------|---------------------------------|---------|------------|-----------------------|
| 1 | 2F5-097-02 | HANDLE NUT CAP | 45 | 2M2-019-01 | CLUTCH PLATE |
| 2 | 2E3-016-02 | NUT | 46 | 2G3-022-01 | IDLE GEAR |
| 3 | 2YH-084-02 | HANDLE TOTAL ASSEMBLY | 47 | 2Q3-089-01 | RETRACTOR SPRING |
| 4 | 2E2-030-02 | F20M-050 SCREW | 48 | 2F8-106-01 | GEAR SETTING PLATE |
| 5 | 2E4-018-01 | RETAINER | 49 | 2E2-031-01 | A26M-075 SCREW |
| 6 | 2F8-050-01 | CLICK LEAF SPRING HOLDER | 50 | 2W1-054-01 | 052-080 WASHER |
| 7 | 2L3-029-01 | CLICK LEAF SPRING | 51 | 2W1-070-01 | 052-080 WASHER |
| 8 | 2D4-008-03 | STAR DRAG LEVER | 52 | 2E5-013-01 | E3.0 RETAINER |
| 9 | 2Q1-052-01 | STAR DRAG SPRING | 53 | 2YS-061-03 | SPOOL ASSEMBLY |
| 10 | 2E3-029-02 | STAR DRAG NUT | 54 | 2C2-057-01 | BRAKE COLLAR |
| 11 | 2W1-020-01 | 081-130 WASHER | 55 | 2Z1-023-01 | 814-4 BALL BEARING |
| 12 | 2L1-004-01 | SPRING WASHER | 56 | 2F3-037-01 | CLICK GEAR |
| 13 | 2W1-035-05 | 080-105 WASHER | 57 | 2YM-041-01 | WORM SHAFT ASSEMBLY |
| 14 | 2Z1-024-05 | 812-2.5 BALL BEARING | 58 | 2C1-059-01 | SPACER |
| 15 | 2A4-022-01 | ONE-WAY CLUTCH INNER TUBE | 59 | 2C2-042-01 | WORM SHAFT BUSH |
| 16 | 2E3-024-01 | CAST CONTROL NUT | 60 | 2C4-015-01 | LEVEL WIND GUARD |
| 17 | 2W5-026-01 | SPACER | 61 | 2YR-038-01 | LINE GUIDE ASSEMBLY |
| 18 | 2W5-029-01 | CAST CONTROL SPACER | 62 | 2M5-005-01 | LINE GUIDE PIN |
| 19 | 2E4-019-01 | BEARING RETAINER | 63 | 2W1-100-01 | 020-068 WASHER |
| 20 | 2C2-003-01 | LINE ROLLER BUSH | 64 | 2E3-014-01 | LINE GUIDE NUT |
| 21 | 2E9-005-01 | O RING | 65 | 2E2-034-01 | A20M-090 SCREW |
| 22 | 2E0-011-01 | RIGHT SIDE COVER SCREW | 66 | 2YB-215-10 | BODY ASSEMBLY |
| 23 | 2W1-132-01 | 036-060 WASHER | 67 | 2W1-046-01 | 051-068 WASHER |
| 24 | 2YF-140-21 | LEFT SIDE COVER ASSEMBLY | 68 | 2F6-050-01 | BEARING HOLDING PLATE |
| 25 | 2E5-006-01 | E2.5 RETAINER | 69 | 2E2-037-01 | A26M-060 SCREW |
| 26 | 2Q1-056-01 | RIGHT SIDE COVER SCREW SPRING | 70 | 2P4-006-02 | LEVEL WIND GUIDE |
| 27 | 2YZ-007-01 | ONE-WAY CLUTCH BEARING ASSEMBLY | 71 | 2C4-014-02 | CASTING BAR GUIDE B |
| 28 | 2W2-032-01 | KEY WASHER | 72 | 2YS-085-03 | CASTING BAR ASSEMBLY |
| 29 | 2W1-126-02 | 082-210 WASHER | 73 | 2C4-013-02 | CASTING BAR GUIDE A |
| 30 | 2W3-017-01 | EARED WASHER | 74 | 2P2-021-01 | CASTING BAR PIN |
| 31 | 2W1-111-02 | 100-230 WASHER | 75 | 2E5-020-01 | E1.5 RETAINER |
| 32 | 2W2-025-01 | KEY WASHER | 76 | 2P4-008-02 | CASTING BAR SUPPORT |
| 33 | 2G1-032-01 | DRIVE GEAR | 77 | 2E2-003-01 | B26M-036 SCREW |
| 34 | 2YG-023-01 | OSCILLATING GEAR ASSEMBLY | 78 | 2E4-011-01 | BEARING RETAINER |
| 35 | 2A3-027-01 | RATCHET | 79 | 2W5-015-01 | CAST CONTROL SPACER |
| 36 | 2M3-048-02 | DRIVE SHAFT | 80 | 2F6-113-01 | CLICK PLATE |
| 37 | 2Z1-018-05 | 510-3 BALL BEARING | 81 | 2E2-022-01 | B20M-030 SCREW |
| 38 | 2G2-046-01 | PINION GEAR | 82 | 2F2-020-01 | CLICK SPRING |
| 39 | 2Q1-031-01 | YOKE SPRING | 83 | 2F4-018-01 | CLICK PAWL |
| 40 | 2A2-050-01 | PINION YOKE | 84 | 2F5-362-10 | RIGHT SIDE COVER |
| 41 | 2E2-047-01 | A20M-065 SCREW | 85 | 2F7-004-01 | CLICK SWITCH |
| 42 | 2F8-030-01 | CLUTCH CAM RETAINER | 86 | 2YT-144-03 | SPOOL TOTAL ASSEMBLY |
| 43 | 2YA-031-01 | CLUTCH CAM ASSEMBLY | 87 | 2X3-004-01 | WRENCH |
| 44 | 2Z2-021-01 | BUSHING | | | |

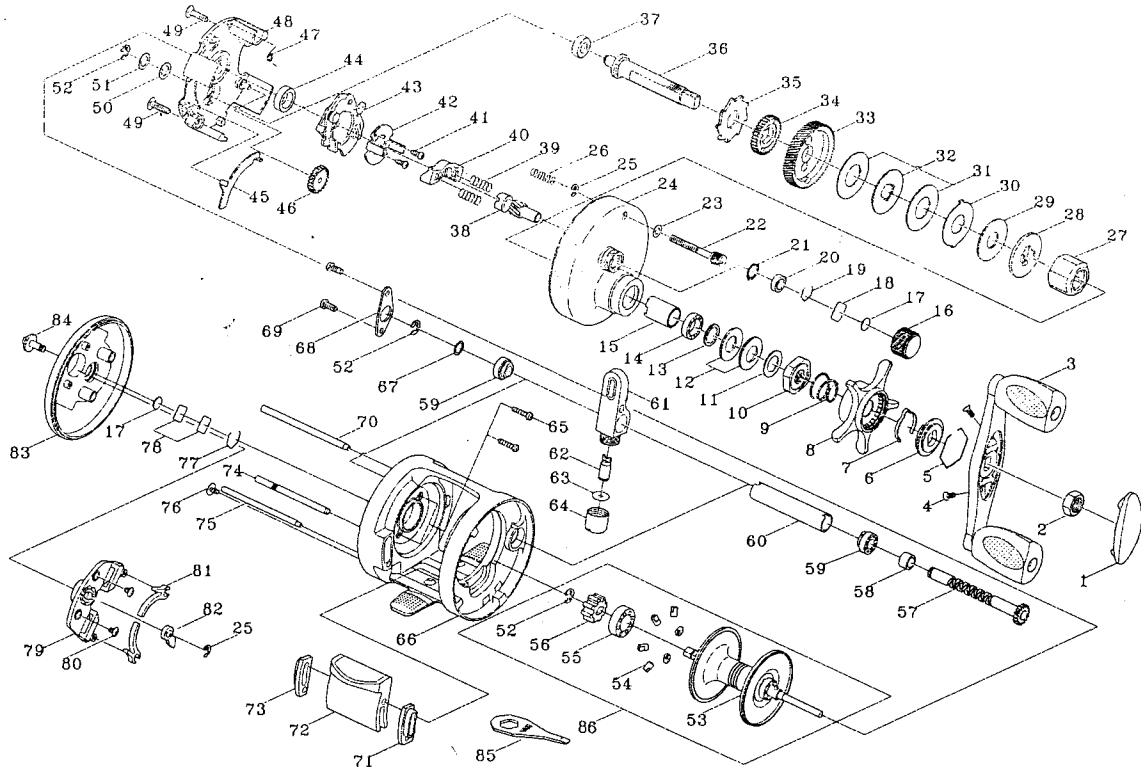


BAIT CASTING REEL

Samira

Bitte Best.-Nr. angeben (Nicht "key"-nr.)
Veuillez indiquer le numero de la pièce (Non "key" no.)KL150LC-ft
KL150LC-M

| Key NO. | Parts No. | Parts name | Key NO. | Parts No. | Parts name |
|---------|------------|---------------------------------|-------------------------|------------|-----------------------|
| 1 | 2F5-097-02 | HANDLE NUT CAP | 51 | 2M2-002-01 | CLUTCH PLATE |
| 2 | 2E3-016-01 | NUT | 52 | 2G3-109-01 | COUNTER GEAR A |
| 3 | 2YH-084-02 | HANDLE TOTAL ASSEMBLY | 53 | 2Q3-086-01 | RETRACTOR SPRING |
| 4 | 2E2-030-02 | F20M-050 SCREW | 54 | 2F8-153-01 | GEAR SETTING PLATE |
| 5 | 2E4-018-01 | RETAINER | 55 | 2E2-005-03 | B26M-080 SCREW |
| 6 | 2F8-050-01 | CLICK LEAF SPRING HOLDER | 56 | 2W1-054-01 | 052-080 WASHER |
| 7 | 2L3-029-01 | CLICK LEAF SPRING | 57 | 2W1-070-01 | 052-080 WASHER |
| 8 | 2D4-008-03 | STAR DRAG LEVER | 58 | 2E5-013-01 | E3.0 RETAINER |
| 9 | 2Q1-052-01 | STAR DRAG SPRING | 59 | 2YS-282-03 | SPOOL ASSEMBLY |
| 10 | 2E3-029-01 | STAR DRAG NUT | 60 | 2C2-057-01 | BRAKE COLLAR |
| 11 | 2L1-004-01 | SPRING WASHER | 61 | 2Z1-023-05 | 814-4 BALL BEARING |
| 12 | 2W1-035-05 | 080-105 WASHER | 62 | 2W1-070-01 | 052-080 WASHER |
| 13 | 2Z1-024-06 | 812-2.5 BALL BEARING | 63 | 2F3-041-01 | CLICK GEAR |
| 14 | 2A4-022-01 | ONE-WAY CLUTCH INNER TUBE | 64 | 2G3-023-02 | IDLE GEAR |
| 15 | 2E3-024-01 | CAST CONTROL NUT | 65 | 2M4-043-01 | WORM SHAFT |
| 16 | 2W5-026-01 | SPACER | 66 | 2C2-133-01 | WORM SHAFT BUSHING |
| 17 | 2W5-029-01 | CAST CONTROL SPACER | 67 | 2C4-007-01 | LEVEL WIND GUARD |
| 18 | 2E4-019-01 | BEARING RETAINER | 68 | 2YR-038-01 | LINE GUIDE ASSEMBLY |
| 19 | 2C2-003-01 | LINE ROLLER BUSH | 69 | 2M5-005-01 | LINE GUIDE PIN |
| 20 | 2E9-005-01 | O RING | 70 | 2W1-100-01 | 020-068 WASHER |
| 21 | 2E0-067-01 | LEFT SIDE COVER SCREW | 71 | 2E3-014-01 | LINE GUIDE NUT |
| 22 | 2W1-132-01 | 036-060 WASHER | 72 | 2E1-066-01 | A20-100 SCREW |
| 23 | 2YF-195-01 | RIGHT SIDE COVER ASSEMBLY | 73 | 2YB-089-61 | BODY ASSEMBLY |
| 24 | 2E5-006-01 | E2.5 RETAINER | 74 | 2G3-088-01 | IDLE GEAR |
| 25 | 2E9-061-01 | OIL RESISTANCE O RING | 75 | 2W1-166-02 | 031-102 WASHER |
| 26 | 2I6-012-01 | SOFT PLATE | 76 | 2E2-007-01 | B30M-100 SCREW |
| 27 | 2YF-085-04 | COUNTER ASSEMBLY | 77 | 2G3-111-01 | IDLE GEAR |
| 28 | 2E2-095-01 | B26M-050 SCREW | 78 | 2E2-003-01 | B26M-036 SCREW |
| 29 | 2E2-092-01 | B20M-050 SCREW | 79 | 2C2-042-01 | WORM SHAFT BUSH |
| 30 | 2F5-543-01 | DUST COVER | 80 | 2F6-050-01 | BEARING HOLDING PLATE |
| 31 | 2E2-026-01 | A20M-075 SCREW | 81 | 2E2-037-01 | A26M-060 SCREW |
| 32 | 2YZ-007-01 | ONE-WAY CLUTCH BEARING ASSEMBLY | 82 | 2C1-055-01 | SPACER |
| 33 | 2E4-008-01 | DRAG WASHER RETAINER | 83 | 2P4-006-01 | LEVEL WIND GUIDE |
| 34 | 2W2-032-01 | KEY WASHER | 84 | 2E5-020-01 | E1.5 RETAINER |
| 35 | 2W1-126-02 | 082-210 WASHER | 85 | 2P2-021-01 | CASTING BAR PIN |
| 36 | 2W3-017-01 | EARED WASHER | 86 | 2P4-008-01 | CASTING BAR SUPPORT |
| 37 | 2W2-025-01 | KEY WASHER | 87 | 2E2-003-01 | B26M-036 SCREW |
| 38 | 2W1-111-02 | 100-230 WASHER | 88 | 2C4-013-02 | CASTING BAR GUIDE A |
| 39 | 2G1-027-01 | DRIVE GEAR | 89 | 2YS-085-03 | CASTING BAR ASSEMBLY |
| 40 | 2YG-023-02 | OSCILLATING GEAR ASSEMBLY | 90 | 2C4-014-02 | CASTING BAR GUIDE B |
| 41 | 2A3-027-01 | RATCHET | 91 | 2E4-011-01 | BEARING RETAINER |
| 42 | 2M3-048-01 | DRIVE SHAFT | 92 | 2W5-015-01 | CAST CONTROL SPACER |
| 43 | 2Z1-018-06 | 510-3 BALL BEARING | 93 | 2F4-018-01 | CLICK PAWL |
| 44 | 2G2-010-01 | PINION GEAR | 94 | 2E1-075-01 | B22-045 SCREW |
| 45 | 2Q1-031-01 | YOKE SPRING | 95 | 2F2-020-01 | CLICK SPRING |
| 46 | 2A2-039-01 | PINION YOKE | 96 | 2F6-032-01 | CLICK PLATE |
| 47 | 2E1-050-01 | A20-060 SCREW | 97 | 2F5-541-01 | LEFT SIDE COVER |
| 48 | 2F8-030-01 | CLUTCH CAM RETAINER | 98 | 2F7-004-01 | CLICK SWITCH |
| 49 | 2YA-042-01 | CLUTCH CAM ASSEMBLY | | | |
| 50 | 2Z2-021-01 | BUSHING | KL150LC-M SPECIAL PARTS | | |
| | | | 26 | 2YF-085-05 | COUNTER ASSEMBLY |



| Key No. | Parts No. | Parts Name | Key No. | Parts No. | Parts Name |
|---------|------------|---------------------------------|---------|------------|-----------------------|
| 1 | 2F5-097-02 | HANDLE NUT CAP | 44 | 2Z2-021-01 | BUSHING |
| 2 | 2E3-016-01 | NUT | 45 | 2M2-002-01 | CLUTCH PLATE |
| 3 | 2YH-084-02 | HANDLE TOTAL ASSEMBLY | 46 | 2G3-022-01 | IDLE GEAR |
| 4 | 2E2-030-02 | F20M-050 SCREW | 47 | 2Q3-086-01 | RETRACTOR SPRING |
| 5 | 2E4-018-01 | RETAINER | 48 | 2F8-032-01 | GEAR SETTING PLATE |
| 6 | 2F8-050-01 | CLICK LEAF SPRING HOLDER | 49 | 2E2-005-03 | B26M-080 SCREW |
| 7 | 2L3-029-01 | CLICK LEAF SPRING | 50 | 2W1-054-01 | 052-080 WASHER |
| 8 | 2D4-008-03 | STAR DRAG LEVER | 51 | 2W1-070-01 | 052-080 WASHER |
| 9 | 2Q1-052-01 | STAR DRAG SPRING | 52 | 2E5-013-01 | E3.0 RETAINER |
| 10 | 2E3-029-01 | STAR DRAG NUT | 53 | 2Y5-080-04 | SPOOL ASSEMBLY |
| 11 | 2W1-020-01 | 081-130 WASHER | 54 | 2C2-057-01 | BRAKE COLLAR |
| 12 | 2L1-004-01 | SPRING WASHER | 55 | 2Z1-023-01 | 814-4 BALL BEARING |
| 13 | 2W1-035-05 | 080-105 WASHER | 56 | 2F3-037-01 | CLICK GEAR |
| 14 | 2Z1-024-05 | 812-2.5 BALL BEARING | 57 | 2YM-032-01 | WORM SHAFT ASSEMBLY |
| 15 | 2A4-022-01 | ONE-WAY CLUTCH INNER TUBE | 58 | 2C1-059-01 | SPACER |
| 16 | 2E3-024-01 | CAST CONTROL NUT | 59 | 2C2-042-01 | WORM SHAFT BUSH |
| 17 | 2W5-026-01 | SPACER | 60 | 2C4-007-01 | LEVEL WIND GUARD |
| 18 | 2W5-029-01 | CAST CONTROL SPACER | 61 | 2YR-038-01 | LINE GUIDE ASSEMBLY |
| 19 | 2E4-019-01 | BEARING RETAINER | 62 | 2M5-005-01 | LINE GUIDE PIN |
| 20 | 2C2-003-01 | LINE ROLLER BUSH | 63 | 2W1-100-01 | 020-068 WASHER |
| 21 | 2E9-005-01 | O RING | 64 | 2E3-014-01 | LINE GUIDE NUT |
| 22 | 2E0-011-01 | RIGHT SIDE COVER SCREW | 65 | 2E2-034-01 | A20M-090 SCREW |
| 23 | 2W1-132-01 | 036-060 WASHER | 66 | 2YB-089-11 | BODY ASSEMBLY |
| 24 | 2YF-029-23 | RIGHT SIDE COVER ASSEMBLY | 67 | 2W1-046-01 | 051-068 WASHER |
| 25 | 2E5-006-01 | E2.5 RETAINER | 68 | 2F6-050-01 | BEARING HOLDING PLATE |
| 26 | 2Q1-056-01 | RIGHT SIDE COVER SCREW SPRING | 69 | 2E2-037-01 | A26M-060 SCREW |
| 27 | 2YZ-007-01 | ONE-WAY CLUTCH BEARING ASSEMBLY | 70 | 2P4-006-01 | LEVEL WIND GUIDE |
| 28 | 2W2-032-01 | KEY WASHER | 71 | 2C4-013-02 | CASTING BAR GUIDE A |
| 29 | 2W1-126-02 | 082-210 WASHER | 72 | 2Y5-085-03 | CASTING BAR ASSEMBLY |
| 30 | 2W3-017-01 | EARED WASHER | 73 | 2C4-014-02 | CASTING BAR GUIDE B |
| 31 | 2W1-111-02 | 100-230 WASHER | 74 | 2P2-021-01 | CASTING BAR PIN |
| 32 | 2W2-025-01 | KEY WASHER | 75 | 2P4-008-01 | CASTING BAR SUPPORT |
| 33 | 2G1-027-01 | DRIVE GEAR | 76 | 2E2-003-01 | B26M-036 SCREW |
| 34 | 2Y6-023-01 | OSCILLATING GEAR ASSEMBLY | 77 | 2E4-011-01 | BEARING RETAINER |
| 35 | 2A3-027-01 | RATCHET | 78 | 2W5-015-01 | CAST CONTROL SPACER |
| 36 | 2M3-048-01 | DRIVE SHAFT | 79 | 2F6-032-01 | CLICK PLATE |
| 37 | 2Z1-018-05 | 510-3 BALL BEARING | 80 | 2E2-022-01 | B20M-030 SCREW |
| 38 | 2G2-010-01 | PINION GEAR | 81 | 2F2-020-01 | CLICK SPRING |
| 39 | 2Q1-031-01 | YOKE SPRING | 82 | 2F4-018-01 | CLICK PAWL |
| 40 | 2A2-039-01 | PINION YOKE | 83 | 2F5-089-11 | LEFT SIDE COVER |
| 41 | 2E2-047-01 | A20M-065 SCREW | 84 | 2F7-004-01 | CLICK SWITCH |
| 42 | 2F8-030-01 | CLUTCH CAM RETAINER | 85 | 2X3-004-01 | WRENCH |
| 43 | 2YA-017-01 | CLUTCH CAM ASSEMBLY | 86 | 2YT-139-04 | SPOOL TOTAL ASSEMBLY |

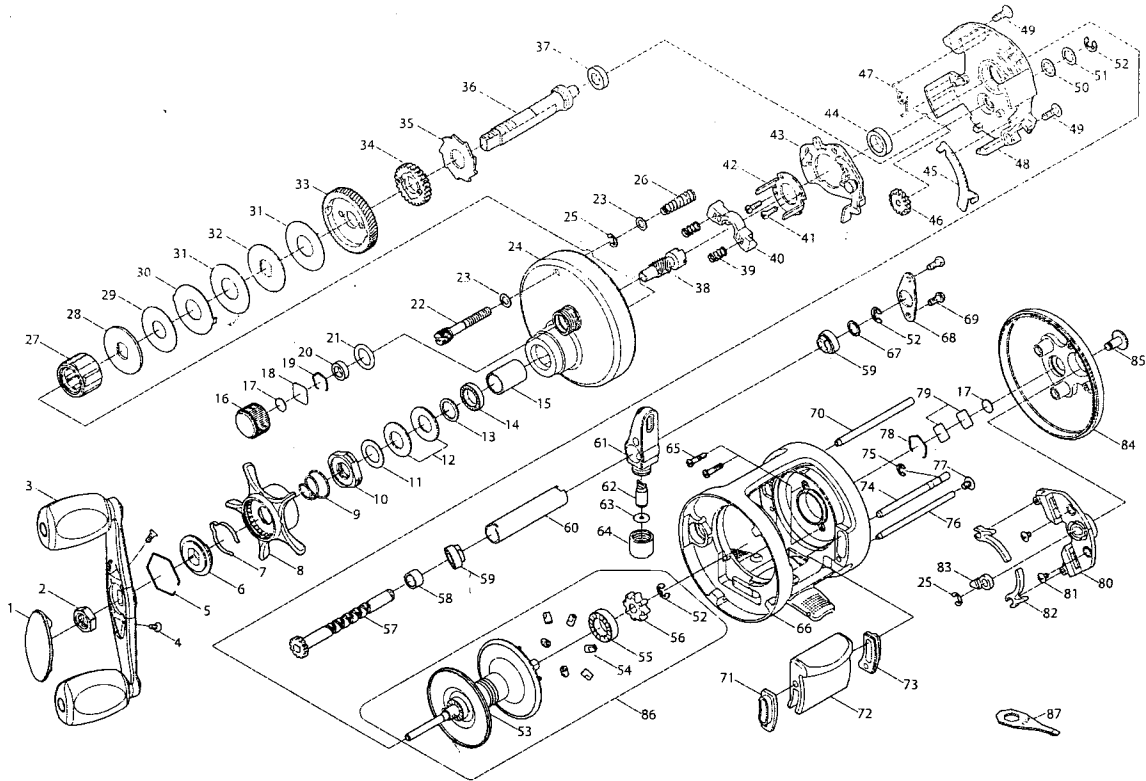


BAIT CASTING REEL

Samira K Series

KL151

Please order by parts number, not key number
 Bitte Best. Nr. angeben (Nicht "key" nr.)
 Veuillez indiquer le numero de la piece (Non "key" no.)



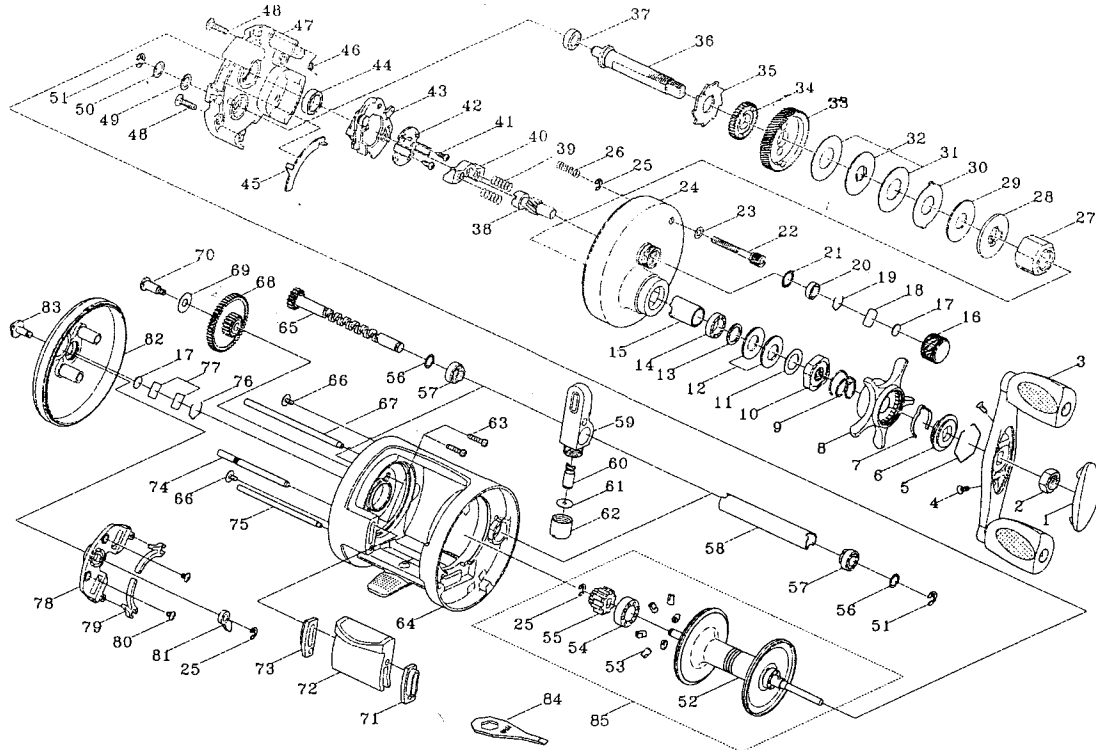
| Key No. | Parts No. | Parts Name | Key No. | Parts No. | Parts Name |
|---------|------------|---------------------------------|---------|------------|-----------------------|
| 1 | 2F5-097-02 | HANDLE NUT CAP | 45 | 2M2-020-01 | CLUTCH PLATE |
| 2 | 2E3-016-02 | NUT | 46 | 2G3-022-01 | IDLE GEAR |
| 3 | 2YH-084-02 | HANDLE TOTAL ASSEMBLY | 47 | 2Q3-089-01 | RETRACTOR SPRING |
| 4 | 2E2-030-02 | F20M-050 SCREW | 48 | 2F8-107-01 | GEAR SETTING PLATE |
| 5 | 2E4-018-01 | RETAINER | 49 | 2E2-005-03 | B26M-080 SCREW |
| 6 | 2F8-050-01 | CLICK LEAF SPRING HOLDER | 50 | 2W1-054-01 | 052-080 WASHER |
| 7 | 2L3-029-01 | CLICK LEAF SPRING | 51 | 2W1-070-01 | 052-080 WASHER |
| 8 | 2D4-008-03 | STAR DRAG LEVER | 52 | 2E5-013-01 | E3.0 RETAINER |
| 9 | 2Q1-052-01 | STAR DRAG SPRING | 53 | 2Y5-080-04 | SPOOL ASSEMBLY |
| 10 | 2E3-029-02 | STAR DRAG NUT | 54 | 2C2-057-01 | BRAKE COLLAR |
| 11 | 2W1-020-01 | 081-130 WASHER | 55 | 2Z1-023-01 | 814-4 BALL BEARING |
| 12 | 2L1-004-01 | SPRING WASHER | 56 | 2F3-037-01 | CLICK GEAR |
| 13 | 2W1-035-05 | 080-105 WASHER | 57 | 2YM-032-01 | WORM SHAFT ASSEMBLY |
| 14 | 2Z1-024-05 | 812-2.5 BALL BEARING | 58 | 2C1-059-01 | SPACER |
| 15 | 2A4-022-01 | ONE-WAY CLUTCH INNER TUBE | 59 | 2C2-042-01 | WORM SHAFT BUSH |
| 16 | 2E3-024-01 | CAST CONTROL NUT | 60 | 2C4-007-01 | LEVEL WIND GUARD |
| 17 | 2W5-026-01 | SPACER | 61 | 2YR-038-01 | LINE GUIDE ASSEMBLY |
| 18 | 2W5-029-01 | CAST CONTROL SPACER | 62 | 2M5-005-01 | LINE GUIDE PIN |
| 19 | 2E4-019-01 | BEARING RETAINER | 63 | 2W1-100-01 | 020-068 WASHER |
| 20 | 2C2-003-01 | LINE ROLLER BUSH | 64 | 2E3-014-01 | LINE GUIDE NUT |
| 21 | 2E9-005-01 | O RING | 65 | 2E2-034-01 | A20M-090 SCREW |
| 22 | 2E0-011-01 | RIGHT SIDE COVER SCREW | 66 | 2YB-218-10 | BODY ASSEMBLY |
| 23 | 2W1-132-01 | 036-060 WASHER | 67 | 2W1-046-01 | 051-068 WASHER |
| 24 | 2YF-145-21 | | 68 | 2F6-050-01 | BEARING HOLDING PLATE |
| 25 | 2E5-006-01 | E2.5 RETAINER | 69 | 2E2-037-01 | A26M-060 SCREW |
| 26 | 2Q1-056-01 | RIGHT SIDE COVER SCREW SPRING | 70 | 2P4-006-01 | LEVEL WIND GUIDE |
| 27 | 2YZ-007-01 | ONE-WAY CLUTCH BEARING ASSEMBLY | 71 | 2C4-014-02 | CASTING BAR GUIDE B |
| 28 | 2W2-032-01 | KEY WASHER | 72 | 2Y5-085-03 | CASTING BAR ASSEMBLY |
| 29 | 2W1-126-02 | 082-210 WASHER | 73 | 2C4-013-02 | CASTING BAR GUIDE A |
| 30 | 2W3-017-01 | EARED WASHER | 74 | 2P2-021-01 | CASTING BAR PIN |
| 31 | 2W1-111-02 | 100-230 WASHER | 75 | 2E5-020-01 | E1.5 RETAINER |
| 32 | 2W2-025-01 | KEY WASHER | 76 | 2P4-008-01 | CASTING BAR SUPPORT |
| 33 | 2G1-032-01 | DRIVE GEAR | 77 | 2E2-003-01 | B26M-036 SCREW |
| 34 | 2Y6-023-01 | OSCILLATING GEAR ASSEMBLY | 78 | 2E4-011-01 | BEARING RETAINER |
| 35 | 2A3-027-01 | RATCHET | 79 | 2W5-015-01 | CAST CONTROL SPACER |
| 36 | 2M3-048-02 | DRIVE SHAFT | 80 | 2F6-032-01 | CLICK PLATE |
| 37 | 2Z1-018-05 | 510-3 BALL BEARING | 81 | 2E2-022-01 | B20M-030 SCREW |
| 38 | 2G2-046-01 | PINION GEAR | 82 | 2F2-020-01 | CLICK SPRING |
| 39 | 2Q1-031-01 | YOKE SPRING | 83 | 2F4-018-01 | CLICK PAWL |
| 40 | 2A2-050-01 | PINION YOKE | 84 | 2F5-365-10 | RIGHT SIDE COVER |
| 41 | 2E2-047-01 | A20M-065 SCREW | 85 | 2F7-004-01 | CLICK SWITCH |
| 42 | 2F8-030-01 | CLUTCH CAM RETAINER | 86 | 2YT-139-04 | SPOOL TOTAL ASSEMBLY |
| 43 | 2YA-032-01 | CLUTCH CAM ASSEMBLY | 87 | 2X3-004-01 | WRENCH |
| 44 | 2Z2-021-01 | BUSHING | | | |

BAIT CASTING REEL

Samira K Series

KL200

Please order by parts number, not key number
Bitte Best-Nr. angeben! Nicht "key"-nr.
Veuillez indiquer le numero de la piece/le "key" no.!



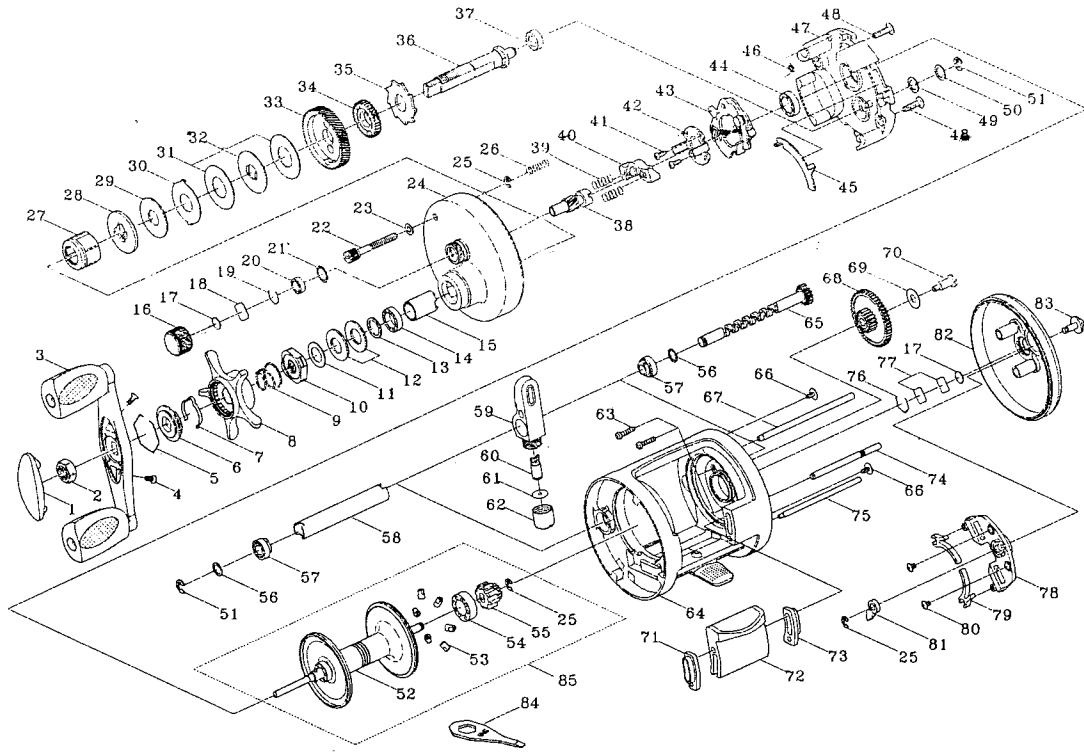
| Key No. | Parts No. | Parts Name | Key No. | Parts No. | Parts Name |
|---------|------------|---------------------------------|---------|------------|----------------------|
| 1 | 2F5-097-02 | HANDLE NUT CAP | 44 | 2Z2-021-01 | BUSHING |
| 2 | 2E3-016-01 | NUT | 45 | 2M2-003-01 | CLUTCH PLATE |
| 3 | 2YH-084-02 | HANDLE TOTAL ASSEMBLY | 46 | 2Q3-086-01 | RETRACTOR SPRING |
| 4 | 2E2-030-02 | F20M-050 SCREW | 47 | 2F8-039-01 | GEAR SETTING PLATE |
| 5 | 2E4-018-01 | RETAINER | 48 | 2E2-005-03 | B26M-080 SCREW |
| 6 | 2F8-050-01 | CLICK LEAF SPRING HOLDER | 49 | 2W1-054-01 | 052-080 WASHER |
| 7 | 2L3-029-01 | CLICK LEAF SPRING | 50 | 2W1-070-01 | 052-080 WASHER |
| 8 | 2D4-008-03 | STAR DRAG LEVER | 51 | 2E5-013-01 | E3.0 RETAINER |
| 9 | 2Q1-052-01 | STAR DRAG SPRING | 52 | 2YS-083-11 | SPOOL ASSEMBLY |
| 10 | 2E3-029-01 | STAR DRAG NUT | 53 | 2C2-057-01 | BRAKE COLLAR |
| 11 | 2W1-020-01 | 081-130 WASHER | 54 | 2Z1-023-01 | 814-4 BALL BEARING |
| 12 | 2L1-004-01 | SPRING WASHER | 55 | 2F3-041-01 | CLICK GEAR |
| 13 | 2W1-035-05 | 080-105 WASHER | 56 | 2W1-046-01 | 051-068 WASHER |
| 14 | 2Z1-024-05 | 812-2.5 BALL BEARING | 57 | 2C2-042-01 | WORM SHAFT BUSH |
| 15 | 2A4-022-01 | ONE-WAY CLUTCH INNER TUBE | 58 | 2C4-010-01 | LEVEL WIND GUARD |
| 16 | 2E3-024-01 | CAST CONTROL NUT | 59 | 2YR-038-01 | LINE GUIDE ASSEMBLY |
| 17 | 2W5-026-01 | SPACER | 60 | 2M5-005-01 | LINE GUIDE PIN |
| 18 | 2W5-029-01 | CAST CONTROL SPACER | 61 | 2W1-100-01 | 020-068 WASHER |
| 19 | 2E4-019-01 | BEARING RETAINER | 62 | 2E3-014-01 | LINE GUIDE NUT |
| 20 | 2C2-003-01 | LINE ROLLER BUSH | 63 | 2E2-034-01 | A20M-090 SCREW |
| 21 | 2E9-005-01 | O RING | 64 | 2YB-095-16 | BODY ASSEMBLY |
| 22 | 2E0-011-01 | RIGHT SIDE COVER SCREW | 65 | 2YM-042-01 | WORM SHAFT ASSEMBLY |
| 23 | 2W1-132-01 | 036-060 WASHER | 66 | 2E2-003-01 | B26M-036 SCREW |
| 24 | 2YF-033-28 | RIGHT SIDE COVER ASSEMBLY | 67 | 2P4-006-03 | LEVEL WIND GUIDE |
| 25 | 2E5-006-01 | E2.5 RETAINER | 68 | 2G3-015-01 | IDLE GEAR |
| 26 | 2Q1-056-01 | RIGHT SIDE COVER SCREW SPRING | 69 | 2W1-166-02 | 031-102 WASHER |
| 27 | 2Y2-007-01 | ONE-WAY CLUTCH BEARING ASSEMBLY | 70 | 2E2-007-01 | B30M-100 SCREW |
| 28 | 2W2-032-01 | KEY WASHER | 71 | 2C4-013-02 | CASTING BAR GUIDE A |
| 29 | 2W1-126-02 | 082-210 WASHER | 72 | 2YS-085-03 | CASTING BAR ASSEMBLY |
| 30 | 2W3-017-01 | EARED WASHER | 73 | 2C4-014-02 | CASTING BAR GUIDE B |
| 31 | 2W1-111-02 | 100-230 WASHER | 74 | 2P2-021-01 | CASTING BAR PIN |
| 32 | 2W2-025-01 | KEY WASHER | 75 | 2P4-008-03 | CASTING BAR SUPPORT |
| 33 | 2G1-027-01 | DRIVE GEAR | 76 | 2E4-011-01 | BEARING RETAINER |
| 34 | 2Y6-023-01 | OSCILLATING GEAR ASSEMBLY | 77 | 2W5-015-01 | CAST CONTROL SPACER |
| 35 | 2A3-027-01 | RATCHET | 78 | 2F6-032-01 | CLICK PLATE |
| 36 | 2M3-053-01 | DRIVE SHAFT | 79 | 2F2-020-01 | CLICK SPRING |
| 37 | 2Z1-018-05 | 510-3 BALL BEARING | 80 | 2E2-022-01 | B20M-030 SCREW |
| 38 | 2G2-010-01 | PINION GEAR | 81 | 2F4-018-01 | CLICK PAWL |
| 39 | 2Q1-031-01 | YOKE SPRING | 82 | 2F5-108-19 | LEFT SIDE COVER |
| 40 | 2A2-039-01 | PINION YOKE | 83 | 2F7-004-01 | CLICK SWITCH |
| 41 | 2E2-047-01 | A20M-065 SCREW | 84 | 2X3-004-01 | WRENCH |
| 42 | 2F8-030-01 | CLUTCH CAM RETAINER | 85 | 2YT-143-11 | SPOOL TOTAL ASSEMBLY |
| 43 | 2YA-035-01 | CLUTCH CAM ASSEMBLY | | | |



BAIT CASTING REEL

Samira K Series

KL201



| Key No. | Parts No. | Parts Name | Key No. | Parts No. | Parts Name |
|---------|------------|---------------------------------|---------|------------|----------------------|
| 1 | 2F5-097-02 | HANDLE NUT CAP | 44 | 2Z2-021-01 | BUSHING |
| 2 | 2E3-016-02 | NUT | 45 | 2M2-004-01 | CLUTCH PLATE |
| 3 | 2YH-084-02 | HANDLE TOTAL ASSEMBLY | 46 | 2Q3-089-01 | RETRACTOR SPRING |
| 4 | 2E2-030-02 | F20M-050 SCREW | 47 | 2F8-029-01 | GEAR SETTING PLATE |
| 5 | 2E4-018-01 | RETAINER | 48 | 2E2-005-03 | B26M-080 SCREW |
| 6 | 2F8-050-01 | CLICK LEAF SPRING HOLDER | 49 | 2W1-054-01 | 052-080 WASHER |
| 7 | 2L3-029-01 | CLICK LEAF SPRING | 50 | 2W1-070-01 | 052-080 WASHER |
| 8 | 2D4-008-03 | STAR DRAG LEVER | 51 | 2E5-013-01 | E3.0 RETAINER |
| 9 | 2Q1-052-01 | STAR DRAG SPRING | 52 | 2Y5-083-11 | SPOOL ASSEMBLY |
| 10 | 2E3-029-02 | STAR DRAG NUT | 53 | 2C2-057-01 | BRAKE COLLAR |
| 11 | 2W1-020-01 | 081-130 WASHER | 54 | 2Z1-023-01 | 814-4 BALL BEARING |
| 12 | 2L1-004-01 | SPRING WASHER | 55 | 2F3-041-01 | CLICK GEAR |
| 13 | 2W1-035-05 | 080-105 WASHER | 56 | 2W1-046-01 | 051-068 WASHER |
| 14 | 2Z1-024-05 | 812-2.5 BALL BEARING | 57 | 2C2-042-01 | WORM SHAFT BUSH |
| 15 | 2A4-022-01 | ONE-WAY CLUTCH INNER TUBE | 58 | 2C4-010-01 | LEVEL WIND GUARD |
| 16 | 2E3-024-01 | CAST CONTROL NUT | 59 | 2YR-038-01 | LINE GUIDE ASSEMBLY |
| 17 | 2W5-026-01 | SPACER | 60 | 2M5-005-01 | LINE GUIDE PIN |
| 18 | 2W5-029-01 | CAST CONTROL SPACER | 61 | 2W1-100-01 | 020-068 WASHER |
| 19 | 2E4-019-01 | BEARING RETAINER | 62 | 2E3-014-01 | LINE GUIDE NUT |
| 20 | 2C2-003-01 | LINE ROLLER BUSH | 63 | 2E2-034-01 | A20M-090 SCREW |
| 21 | 2E9-005-01 | O RING | 64 | 2YB-094-14 | SPOOL ASSEMBLY |
| 22 | 2E0-011-01 | RIGHT SIDE COVER SCREW | 65 | 2YM-042-01 | WORM ASSEMBLY |
| 23 | 2W1-132-01 | 036-060 WASHER | 66 | 2E2-003-01 | B26M-036 SCREW |
| 24 | 2YF-046-23 | E2.5 RETAINER | 67 | 2P4-006-03 | LEVEL WIND GUIDE |
| 25 | 2E5-006-01 | RIGHT SIDE COVER SCREW SPRING | 68 | 2G3-015-01 | IDLE GEAR |
| 26 | 2Q1-056-01 | ONE-WAY CLUTCH BEARING ASSEMBLY | 69 | 2W1-147-02 | 041-100 WASHER |
| 27 | 2YZ-007-01 | KEY WASHER | 70 | 2E0-035-01 | IDLE GEAR |
| 28 | 2W2-032-01 | 082-210 WASHER | 71 | 2C4-013-02 | CASTING BAR GUIDE A |
| 29 | 2W1-126-02 | EARED WASHER | 72 | 2Y5-085-03 | CASTING BAR ASSEMBLY |
| 30 | 2W3-017-01 | 100-230 WASHER | 73 | 2C4-014-02 | CASTING BAR GUIDE B |
| 31 | 2W1-111-02 | KEY WASHER | 74 | 2P2-021-01 | CASTING BAR PIN |
| 32 | 2W2-025-01 | DRIVE GEAR | 75 | 2P4-008-03 | CASTING BAR SUPPORT |
| 33 | 2G1-032-01 | OSCILLATING GEAR ASSEMBLY | 76 | 2E4-011-01 | BEARING RETAINER |
| 34 | 2Y6-023-01 | RATCHET | 77 | 2W5-015-01 | CAST CONTROL SPACER |
| 35 | 2A3-027-01 | DRIVE SHAFT | 78 | 2F6-032-01 | CLICK PLATE |
| 36 | 2M3-053-02 | 510-3 BALL BEARING | 79 | 2F2-020-01 | CLICK SPRING |
| 37 | 2Z1-018-05 | PINION GEAR | 80 | 2E2-022-01 | B20M-030 SCREW |
| 38 | 2G2-046-01 | YOKE SPRING | 81 | 2F4-018-01 | CLICK PAWL |
| 39 | 2Q1-031-01 | PINION YOKE | 82 | 2F5-085-14 | RIGHT SIDE COVER |
| 40 | 2A2-050-01 | A20M-065 SCREW | 83 | 2F7-004-01 | CLICK SWITCH |
| 41 | 2E2-047-01 | CLUTCH CAM RETAINER | 84 | 2X3-004-01 | WRENCH |
| 42 | 2F8-030-01 | CLUTCH CAM ASSEMBLY | 85 | 2YT-143-11 | SPOOL TOTAL ASSEMBLY |
| 43 | 2YA-019-01 | | | | |