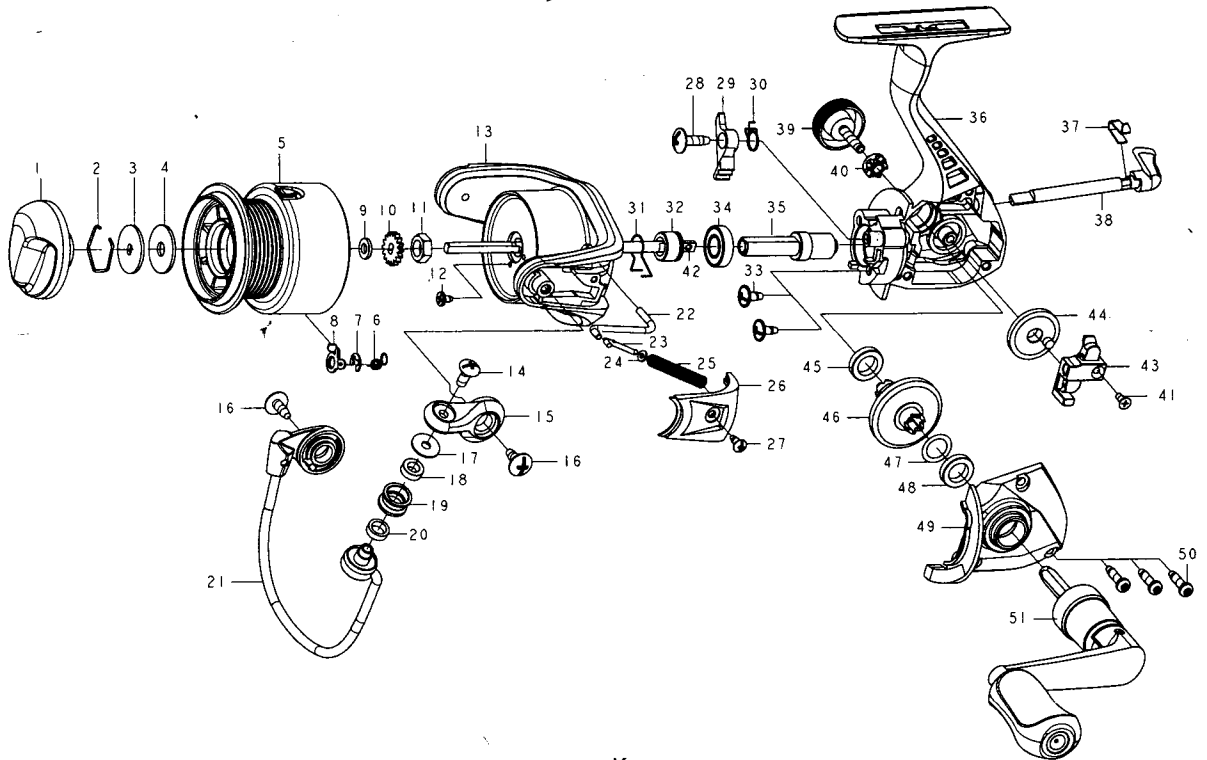




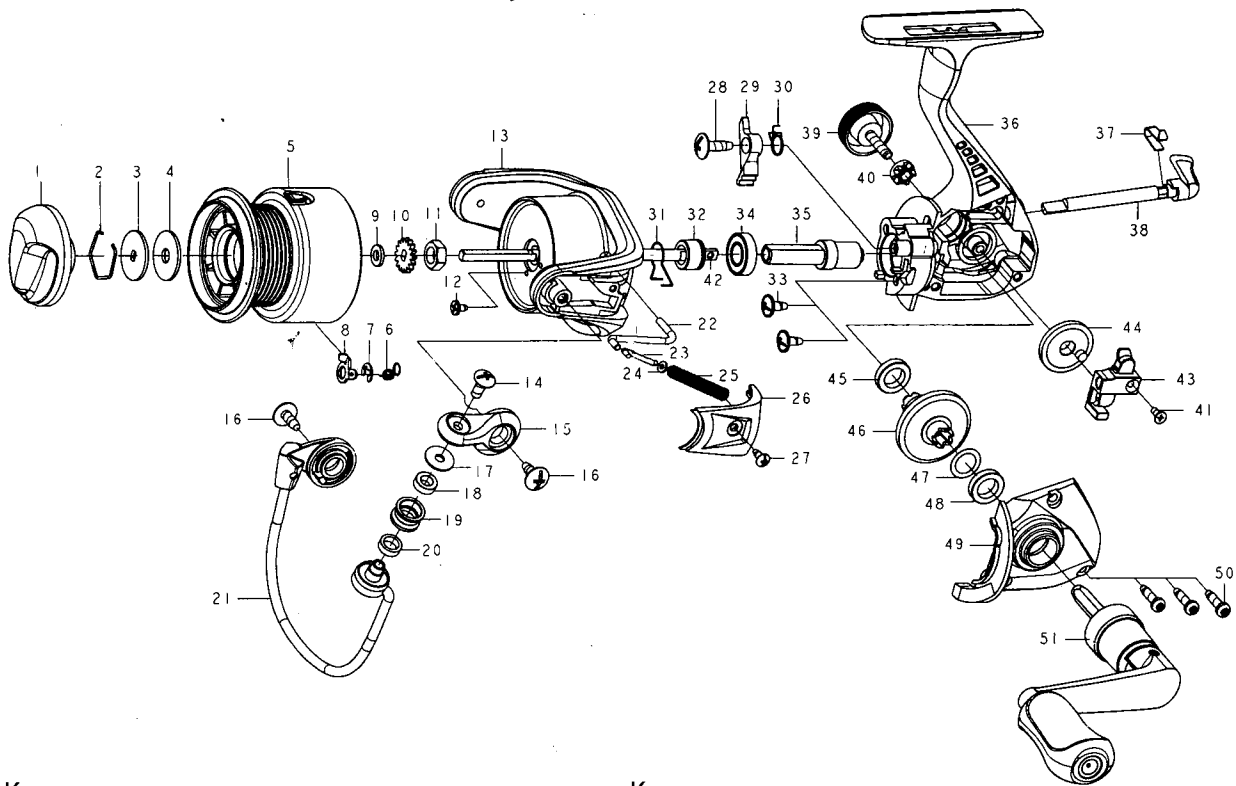
SPINNING REEL

LUSTRE
Spin-X

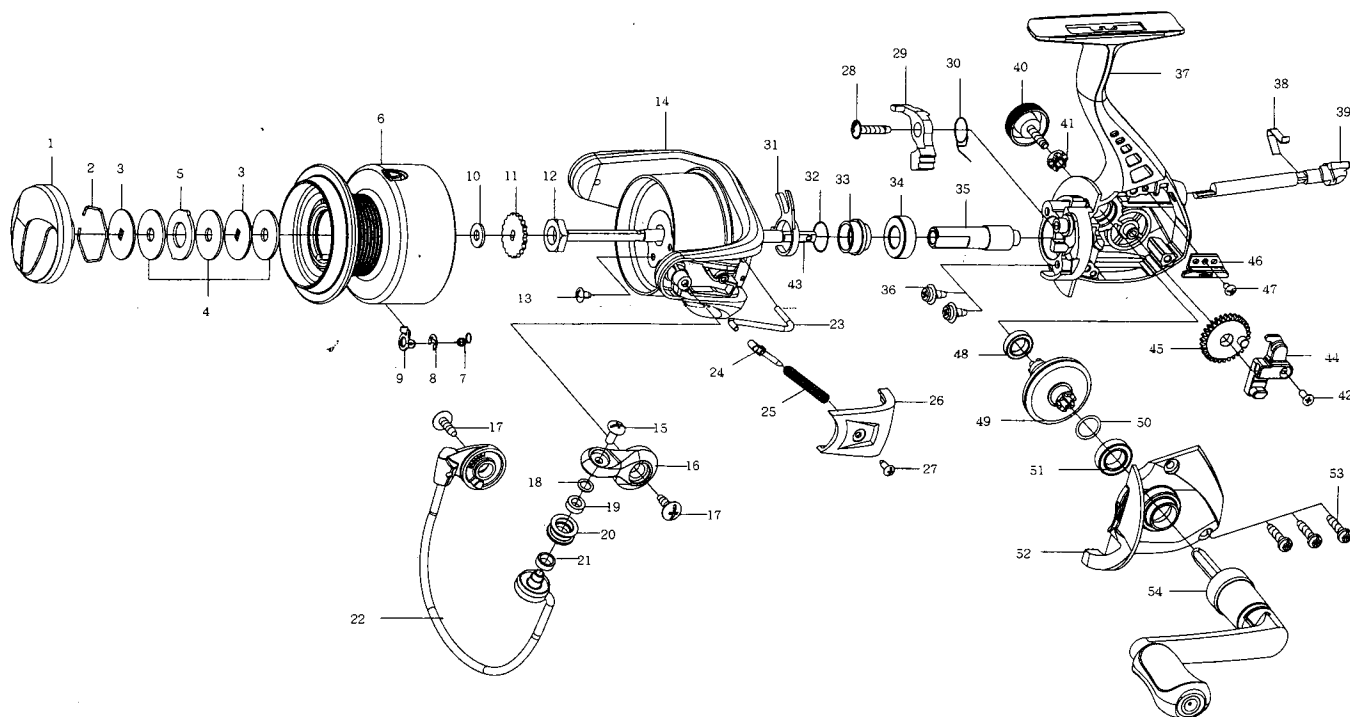
 Please order by parts number, not key number
 Bitte, Best-Nr. angeben (Nicht "key"-nr.)
 Veuillez indiquer le numero de la pièce (Non "key" no.)

LCAT1000


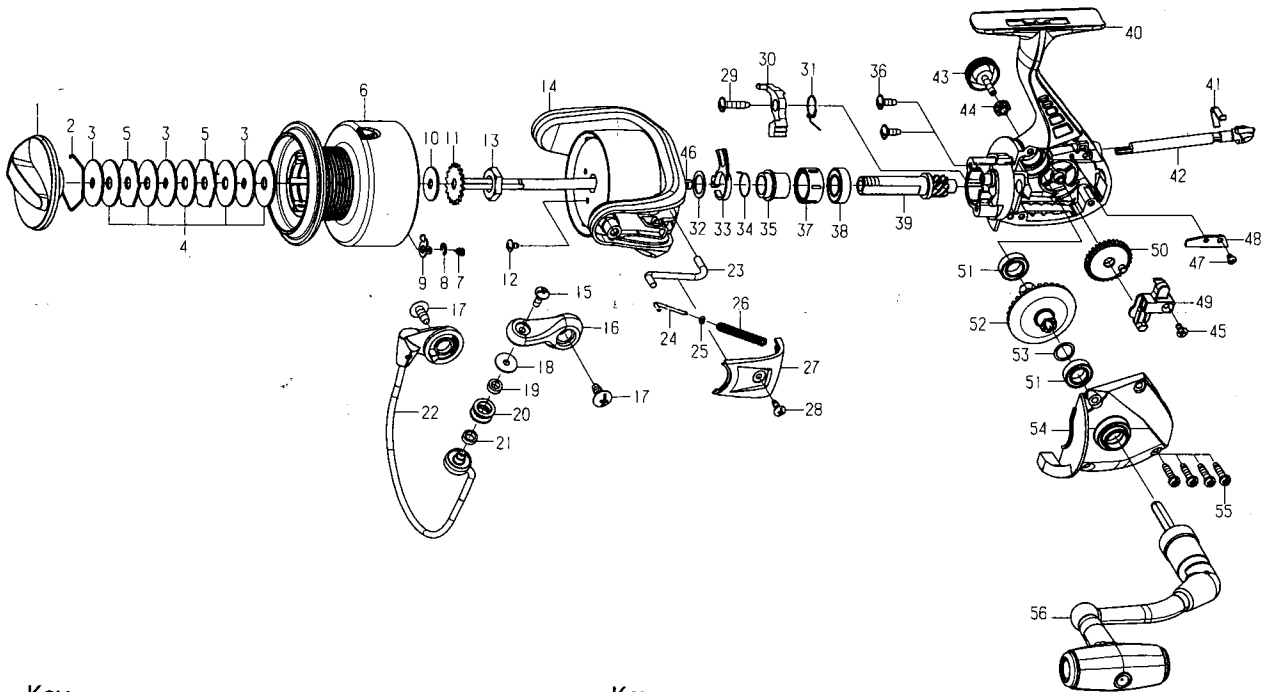
Key NO.	Parts No.	Parts name	Key NO.	Parts No.	Parts name
1	2YD-017-07	DRAG KNOB ASSEMBLY	27	2E1-020-02	B22-055 SCREW
2	2E4-008-01	DRAG WASHER RETAINER	28	2E1-010-01	b30-100 SCREW
3	2W2-042-01	KEY WASHER	29	2A4-053-01	ANTI-REVERSE PAWL
4	2W1-159-01	045-152 WASHER	30	2Q3-043-01	ANTI-REVERSE PAWL SPRING
5	2YS-299-01	SPOOL ASSEMBLY	31	2Q3-017-01	ANTI-REVERSE PAWL SPRING
6	2Q2-003-01	CLICK PAWL SPRING	32	2C3-080-01	ANTI-REVERSE PAWL SPRING COLLAR
7	2E5-006-01	E2.5 RETAINER	33	2E1-019-01	D26-060 SCREW
8	2F4-004-01	CLICK PAWL	34	2Z1-006-07	613-3.5 BALL BEARING
9	2W1-051-02	033-065 WASHER	35	2G2-196-01	PINION GEAR
10	2F3-051-01	CLICK GEAR	36	2B1-222-01	BODY
11	2E3-001-02	ROTOR NUT	37	2L5-010-01	ANTI-REVERSE CAM SPRING
12	2E1-056-01	B20-035 SCREW	38	2A1-031-02	ANTI-REVERSE LEVER
13	2R1-181-01	ROTOR	39	2H6-001-11	HANDLE SCREW CAP
14	2E2-018-01	B30M-080 SCREW	40	2C3-042-01	HANDLE SCREW SLEEVE
15	2R2-092-01	BAIL ARM	41	2E2-030-02	F20M-050 SCREW
16	2E1-025-01	b30-080 SCREW	42	2M3-184-01	MAIN SHAFT
17	2C1-056-01	LINE ROLLER COLLAR	43	2M1-087-01	OSCILLATING SILDER
18	2Z1-012-07	407-2.5 BALL BEARING	44	2G3-104-01	OSCILLATING GEAR
19	2R6-012-02	LINE ROLLER	45	2Z1-011-07	711-2.5 BALL BEARING
20	2C2-032-01	LINE ROLLER BUSH	46	2G1-165-01	DRIVE GEAR
21	2YL-212-01	BAIL ASSEMBLY	47	2W1-019-01	071-103 WASHER
22	2R5-224-01	BAIL PAWL	48	2Z1-011-07	711-2.5 BALL BEARING
23	2R5-202-01	BAIL TRIP SHAFT	49	2B2-159-01	BODY COVER
24	2W1-044-01	016-035 WASHER	50	2E1-055-01	A26-100 SCREW
25	2Q1-141-01	BAIL SPRING	51	2YH-515-01	HANDLE TOTAL ASSEMBLY
26	2R4-250-01	BAIL SPRING COVER			



Key NO.	Parts No.	Parts name	Key NO.	Parts No.	Parts name
1	2YD-017-07	DRAG KNOB ASSEMBLY	28	2E1-010-01	b30-100 SCREW
2	2E4-008-01	DRAG WASHER RETAINER	29	2A4-053-01	ANTI-REVERSE PAWL
3	2W2-042-01	KEY WASHER	30	2Q3-043-01	ANTI-REVERSE PAWL SPRING
4	2W1-159-01	045-152 WASHER	31	2Q3-017-01	ANTI-REVERSE PAWL SPRING
5	2YS-152-02	SPOOL ASSEMBLY	32	2C3-080-01	ANTI-REVERSE PAWL SPRING COLLAR
6	2Q2-003-01	CLICK PAWL SPRING	33	2E1-019-01	D26-060 SCREW
7	2E5-006-01	E2.5 RETAINER	34	2Z1-006-07	613-3.5 BALL BEARING
8	2F4-004-01	CLICK PAWL	35	2G2-196-01	PINION GEAR
9	2W1-051-02	033-065 WASHER	36	2B1-222-01	BODY
10	2F3-051-01	CLICK GEAR	37	2L5-010-01	ANTI-REVERSE CAM SPRING
11	2E3-001-02	ROTOR NUT	38	2A1-031-02	ANTI-REVERSE LEVER
12	2E1-056-01	B20-035 SCREW	39	2H6-001-11	HANDLE SCREW CAP
13	2R1-181-01	ROTOR	40	2C3-042-01	HANDLE SCREW SLEEVE
14	2E2-018-01	B30M-080 SCREW	41	2E2-030-02	F20M-050 SCREW
15	2R2-092-01	BAIL ARM	42	2M3-184-01	MAIN SHAFT
16	2E1-025-01	b30-080 SCREW	43	2M1-087-01	OSCILLATING SILDER
17	2C1-056-01	LINE ROLLER COLLAR	44	2G3-104-01	OSCILLATING GEAR
18	2Z1-012-07	407-2.5 BALL BEARING	45	2Z1-011-07	711-2.5 BALL BEARING
19	2R6-012-02	LINE ROLLER	46	2G1-165-01	DRIVE GEAR
20	2C2-032-01	LINE ROLLER BUSH	47	2W1-019-01	071-103 WASHER
21	2YL-212-01	BAIL ASSEMBLY	48	2Z1-011-07	711-2.5 BALL BEARING
22	2R5-224-01	BAIL PAWL	49	2B2-159-01	BODY COVER
23	2R5-202-01	BAIL TRIP SHAFT	50	2E1-055-01	A26-100 SCREW
24	2W1-044-01	016-035 WASHER	51	2YH-515-01	HANDLE TOTAL ASSEMBLY
25	2Q1-141-01	BAIL SPRING	LCAT2500SPECIAL PARTS		
26	2R4-250-01	BAIL SPRING COVER	5	2YS-153-02	SPOOL ASSEMBLY
27	2E1-020-02	B22-055 SCREW			



Key NO.	Parts No.	Parts name	Key NO.	Parts No.	Parts name
1	2YD-038-04	DRAG KNOB ASSEMBLY	29	2A4-048-01	ANTI-REVERSE PAWL
2	2E4-009-01	DRAG WASHER RETAINER	30	2Q3-045-01	ANTI-REVERSE PAWL SPRING
3	2W2-010-01	KEY WASHER	31	2F1-003-01	SPRING HOLDER
4	2W1-052-01	050-187 WASHER	32	2Q3-030-01	ANTI-REVERSE PAWL SPRING COLLAR
5	2W3-003-01	EARED WASHER	33	2C1-021-02	COLLAR
6	2YS-145-02	SPOOL ASSEMBLY	34	2Z1-005-07	816-5 BALL BEARING
7	2Q2-003-01	CLICK PAWL SPRING	35	2G2-197-01	PINION GEAR
8	2E5-006-01	E2.5 RETAINER	36	2E1-017-01	G30-060 SCREW
9	2F4-004-01	CLICK PAWL	37	2B1-225-01	BODY
10	2W1-048-01	039-090 WASHER	38	2L5-012-01	ANTI-REVERSE CAM SPRING
11	2F3-020-01	CLICK GEAR	39	2A1-029-02	ANTI-REVERSE LEVER
12	2E3-002-01	ROTOR NUT	40	2H6-001-11	HANDLE SCREW CAP
13	2E1-036-01	B26-040 SCREW	41	2C3-042-01	HANDLE SCREW SLEEVE
14	2R1-182-01	ROTOR	42	2E2-009-02	F23M-060 SCREW
15	2E2-018-01	B30M-080 SCREW	43	2M3-185-01	MAIN SHAFT
16	2R2-093-01	BAIL ARM	44	2M1-089-01	OSCILLATING SILDER
17	2E1-010-01	b30-100 SCREW	45	2G3-102-01	OSCILLATING GEAR
18	2W1-295-01	041-061 WASHER	46	2F6-139-01	OSCILLATING SILDER GUIDE
19	2Z1-012-07	407-2.5 BALL BEARING	47	2E1-075-01	B22-045 SCREW
20	2C2-032-01	LINE ROLLER BUSH	48	2Z1-009-07	711-3 BALL BEARING
21	2R6-020-02	LINE ROLLER	49	2G1-069-01	DRIVE GEAR
22	2YL-213-01	BAIL ASSEMBLY	50	2W1-019-00	071-103 WASHER
23	2R5-225-01	BAIL PAWL	51	2Z1-023-07	814-4 BALL BEARING
24	2R5-203-01	BAIL TRIP SHAFT	52	2B2-160-01	BODY COVER
25	2Q1-141-01	BAIL SPRING	53	2E1-006-02	A30-130 SCREW
26	2R4-251-01	BAIL SPRING COVER	54	2YH-528-01	HANDLE TOTAL ASSEMBLY
27	2E1-070-02	B22-065 SCREW	LCAT4000SPECIAL PARTS		
28	2E1-001-01	D30-140 SCREW	6	2YS-146-02	SPOOL ASSEMBLY



Key NO.	Parts No.	Parts name	Key NO.	Parts No.	Parts name
1	2YD-125-01	DRAG KNOB ASSEMBLY	30	2A4-048-01	ANTI-REVERSE PAWL
2	2E4-028-01	DRAG WASHER RETAINER	31	2Q3-045-01	ANTI-REVERSE PAWL SPRING
3	2W2-094-01	KEY WASHER	32	2W1-014-02	091-130 WASHER
4	2W1-094-01	060-220 WASHER	33	2F1-003-01	SPRING HOLDER
5	2W3-013-01	EARED WASHER	34	2Q3-030-01	ANTI-REVERSE PAWL SPRING
6	2YS-302-01	SPOOL ASSEMBLY	35	2C3-081-01	ANTI-REVERSE PAWL SPRING COLLAR
7	2Q2-007-01	CLICK PAWL SPRING	36	2E1-051-01	D30-080 SCREW
8	2E5-006-01	E2.5 RETAINER	37	2C2-131-01	BUSHING
9	2F4-025-01	CLICK PAWL	38	2Z1-035-07	917-5 BALL BEARING
10	2W2-092-01	KEY WASHER	39	2G2-169-01	PINION GEAR
11	2F3-081-01	CLICK GEAR	40	2B1-227-01	BODY
12	2E1-036-01	B26-040 SCREW	41	2L5-012-01	ANTI-REVERSE CAM SPRING
13	2E3-003-01	ROTOR NUT	42	2A2-129-01	ANTI-REVERSE CAM
14	2R1-183-01	ROTOR	43	2H6-001-11	HANDLE SCREW CAP
15	2E2-007-01	B30M-100 SCREW	44	2C3-042-01	HANDLE SCREW SLEEVE
16	2R2-094-01	BAIL ARM	45	2E2-014-02	F26M-060 SCREW
17	2E1-014-01	B40-100 SCREW	46	2M3-186-01	MAIN SHAFT
18	2C1-034-01	LINE ROLLER COLLAR	47	2E1-071-01	B26-040 SCREW
19	2Z1-012-07	407-2.5 BALL BEARING	48	2F6-140-01	CLUTCH PAWL RETAINER
20	2R6-020-02	LINE ROLLER	49	2M1-088-01	OSCILLATING SILDER
21	2C2-032-01	LINE ROLLER BUSH	50	2G3-105-01	OSCILLATING GEAR
22	2YL-215-01	BAIL ASSEMBLY	51	2Z1-023-07	814-4 BALL BEARING
23	2R5-226-01	BAIL PAWL	52	2G1-155-01	DRIVE GEAR
24	2R5-184-01	BAIL TRIP SHAFT	53	2W1-035-01	080-105 WASHER
25	2W1-044-01	016-035 WASHER	54	2B2-162-01	BODY COVER
26	2Q1-143-01	BAIL SPRING	55	2E1-006-02	A30-130 SCREW
27	2R4-252-01	BAIL SPRING COVER	56	2YH-408-02	HANDLE TOTAL ASSEMBLY
28	2E1-016-02	B26-080 SCREW	LCAT6000 SPECIAL PARTS		
29	2E1-001-01	D30-140 SCREW	6	2YS-303-01	SPOOL ASSEMBLY