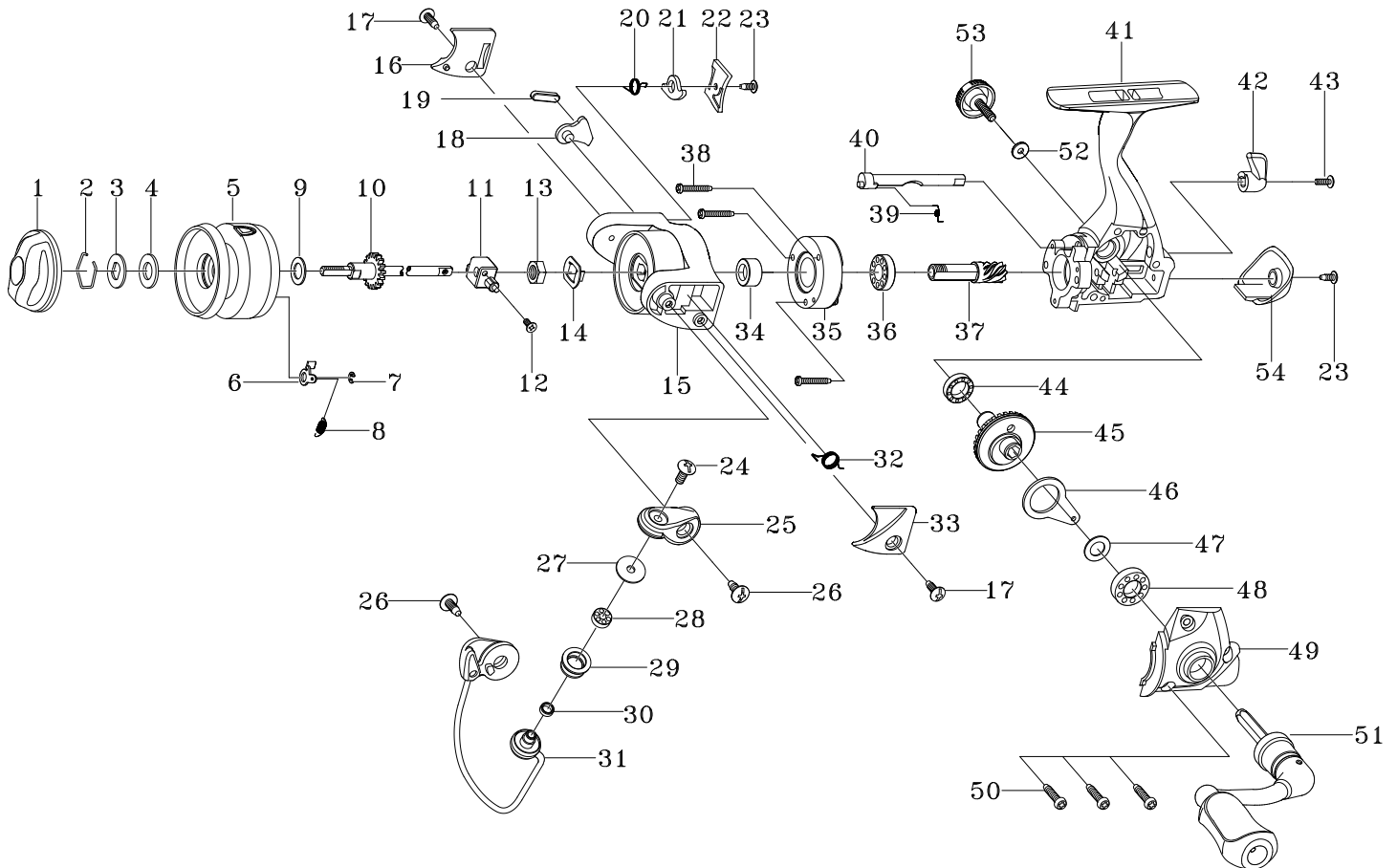




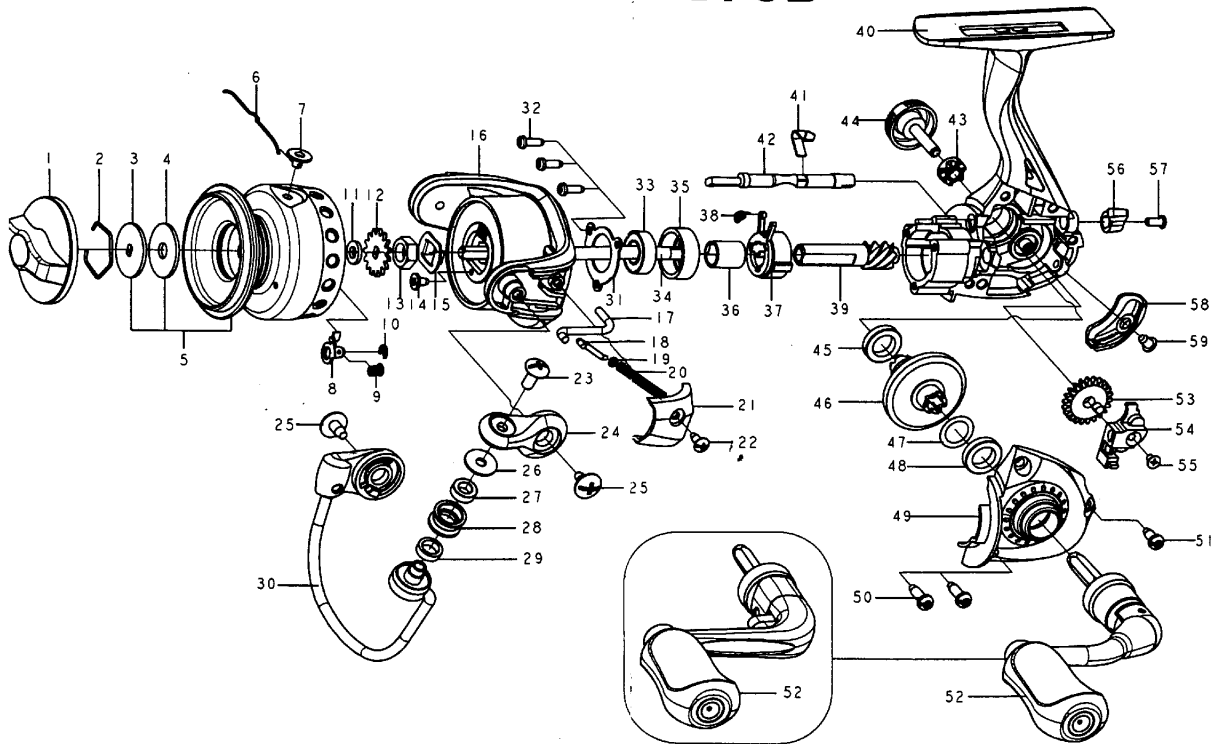
## SPINNING REEL

## CETUS

## SS500



Key NO.	Parts No.	Parts name	Key NO.	Parts No.	Parts name
2-8	2YT-140-05	SPOOL TOTAL ASSEMBLY	28	2Z1-012-02	407-2.5 BALL BEARING
1	2YD-035-05	DRAG KNOB ASSEMBLY	29	2R6-012-01	LINE ROLLER
2	2E4-017-01	DRAG WASHER RETAINER	30	2C2-032-01	LINE ROLLER BUSH
3	2W2-031-01	KEY WASHER	31	2YL-075-02	BAIL ASSEMBLY
4	2W1-101-01	064-124 WASHER	32	2Q1-051-01	BAIL SPRING
5	2YS-081-05	SPOOL ASSEMBLY	33	2R4-088-02	BAIL SPRING COVER
6	2L2-015-01	CLICK PAWL	34	2A4-040-01	ONE-WAY CLUTCH INNER TUBE
7	2E5-020-01	E1.5 RETAINER	35	2YZ-012-01	ONE-WAY CLUTCH BEARING ASSY
8	2Q2-015-01	CLICK PAWL SPRING	36	2Z1-006-01	613-3.5 BALL BEARING
9	2W1-097-02	059-100 WASHER	37	2G2-043-01	PINION GEAR
10	2F3-038-01	CLICK GEAR	38	2E1-052-01	A20-130 SCREW
11	2M1-029-01	OSCILLATING SLIDER	39	2Q3-009-01	ANTI-REVERSE SPRING
12	2E2-030-01	F20M-050 SCREW	40	2A2-040-01	ANTI-REVERSE CAM
13	2E3-001-01	ROTOR NUT	41	2B1-044-04	BODY
14	2C3-027-01	ROTOR NUT RETAINER	42	2A1-022-02	ANTI-REVERSE LEVER
15	2R1-065-04	ROTOR	43	2E2-013-03	B20M-060 SCREW
16	2R4-080-02	BAIL TRIP COVER	44	2Z1-009-01	711-3 BALL BEARING
17	2E1-016-03	B26-080 SCREW	45	2G1-028-01	DRIVE GEAR
18	2R5-081-01	BAIL TRIP LEVER A	46	2M2-001-01	OSCILLATING SLIDER
19	2R5-082-01	BAIL TRIP PLATE	47	2W1-019-00	071-103 WASHER
20	2Q3-084-01	BAIL TRIP LEVER SPING	48	2Z1-002-01	714-3.5 BALL BEARING
21	2R5-083-01	BAIL TRIP LEVER B	49	2B2-032-04	BODY COVER
22	2F5-130-04	ROTOR COVER	50	2E1-005-03	A26-120 SCREW
23	2E1-020-01	B22-055 SCREW	51	2YH-117-02	HANDLE TOTAL ASSEMBLY
24	2E2-018-02	B30M-080 SCREW	52	2W1-004-01	029-080 WASHER
25	2R2-028-02	BAIL ARM	53	2H6-016-02	HANDLE SCREW CAP
26	2E1-037-02	B30-080 SCREW	54	2F5-077-02	REAR COVER
27	2C1-056-01	LINE ROLLER COLLAR			



Parts No.	Parts name	Key NO.	Parts No.	Parts name
2YD-111-03	DRAG KNOB ASSEMBLY	31	2E1-050-01	A20-060 SCREW
2E4-008-01	DRAG WASHER RETAINER	32	2F5-510-01	ROLLER CLUTCH RETAINER
2W2-042-01	KEY WASHER	33	2Z1-019-05	612-4 BALL BEARING
2W1-159-02	045-152 WASHER	34	2M3-170-01	MAIN SHAFT
2YT-529-02	SPOOL TOTAL ASSEMBLY	35	2C1-138-01	BUSHING
2S4-019-01	LINE STOPPER	36	2A4-092-01	ONE-WAY CLUTCH INNER TUBE
2Q3-121-01	SPRING	37	2YZ-032-01	ONE-WAY CLUTCH BEARING ASSEMBLY
2Q2-015-01	CLICK PAWL SPRING	38	2Q2-024-01	SPRING
2E5-020-01	E1.5 RETAINER	39	2G2-185-01	PINION GEAR
2L2-015-01	CLICK PAWL	40	2B1-198-03	BODY
2W1-051-02	033-065 WASHER	41	2L5-025-01	ANTI-REVERSE CAM SPRING
2F3-077-01	CLICK GEAR	42	2A2-120-01	ANTI-REVERSE CAM
2E3-062-01	ROTOR NUT	43	2C3-042-01	HANDLE SCREW SLEEVE
2E1-056-01	X20-035 SCREW	44	2H6-016-02	HANDLE SCREW CAP
2C3-027-01	ROTOR NUT RETAINER	45	2Z1-011-05	711-2.5 BALL BEARING
2R1-154-03	ROTOR	46	2G1-165-01	DRIVE GEAR
2R5-197-01	BAIL PAWL	47	2W1-019-00	071-103 WASHER
2R5-177-01	BAIL TRIP LEVER	48	2Z1-011-05	711-2.5 BALL BEARING
2W1-199-01	015-027 WASHER	49	2B2-142-03	BODY COVER
2Q3-120-01	BAIL SPRING	50	2E1-045-01	A26-080 SCREW
2R4-218-02	BAIL SPRING COVER	51	2E1-060-01	A26-060 SCREW
2E1-020-02	B22-055 SCREW	52	2YH-263-03	HANDLE TOTAL ASSEMBLY
2E2-018-01	B30M-080 SCREW	53	2G3-101-01	OSCILLATING GEAR
2R2-075-02	BAIL ARM	54	2M1-083-01	OSCILLATING SILDER
2E1-024-01	b30-060 SCREW	55	2E2-103-01	F20M-030 SCREW
2C1-056-01	LINE ROLLER COLLAR	56	2A1-038-02	ANTI-REVERSE LEVER
2Z1-012-05	407-2.5 BALL BEARING	57	2E2-099-01	B20M-050 SCREW
2R6-012-01	LINE ROLLER	58	2F5-483-02	REAR COVER
2C2-032-01	LINE ROLLER BUSH	59	2E1-071-01	B26-040 SCREW
2YL-166-01	BAIL ASSEMBLY			