

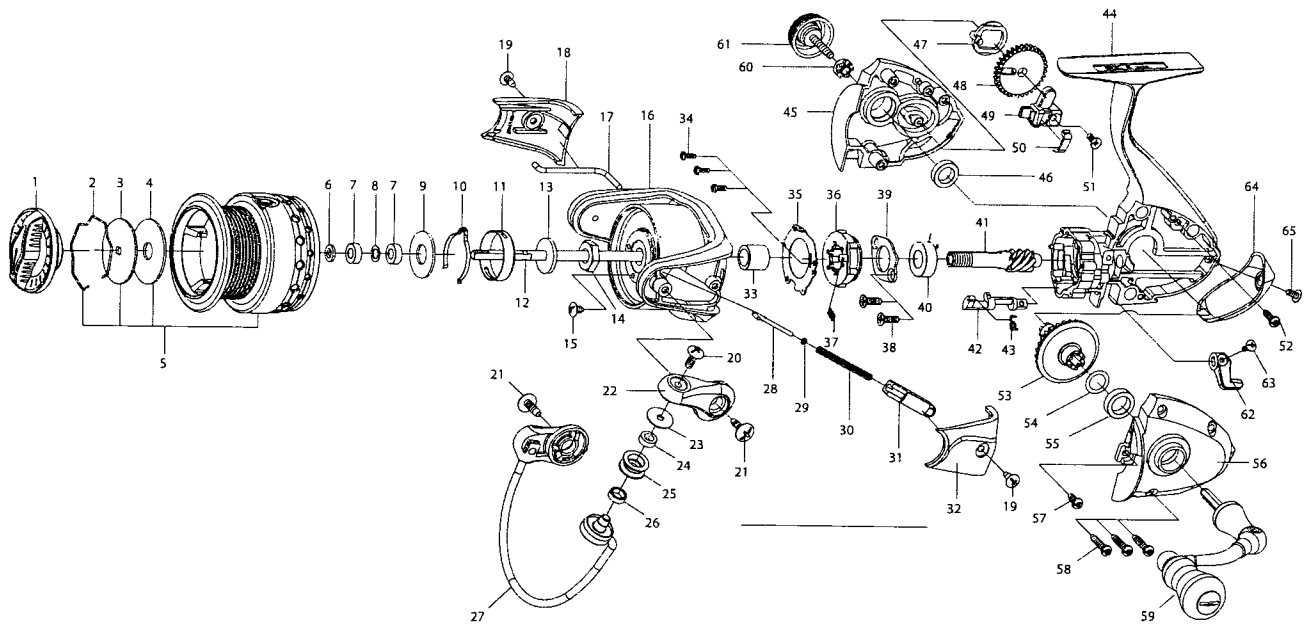
Key NO.	Parts No.	Parts name	Key NO.	Parts No.	Parts name
1	2YD-096-12	DRAG KNOB ASSEMBLY	34	2F2-044-01	A20M-050 SCREW
2	2E4-034-01	DRAG WASHER RETAINER	35	2Q2-016-01	SPRING
3	2W2-078-01	KEY WASHER	36	2A4-054-01	ONE-WAY CLUTCH INNER TUBE
4	2W1-226-01	080-260 WASHER	37	2YZ-019-01	ONE-WAY CLUTCH BEARING ASSEMBLY
5	2YT-444-12	SPOOL TOTAL ASSEMBLY	38	2F5-212-01	BEARING RETAINER
6	2W2-079-01	KEY WASHER	39	2E2-052-02	F26M-080 SCREW
7	2Z1-001-05	508-2.5 BALL BEARING	40	2C1-090-01	COLLAR
8	2C1-118-01	SPACER	41	2Z1-019-05	612-4 BALL BEARING
9	2L3-025-01	CLICK LEAF SPRING	42	2G2-156-01	PINION GESR
10	2W1-250-01	081-145 WASHER	43	2A2-097-01	ANTI-REVERSE CAM
11	2F8-063-02	CLICK LEAF SPRING HOLDER	44	2Q3-102-01	ANTI-REVERSE SPRING
12	2W2-056-01	KEY WASHER	45	2YB-268-02	BODY ASSEMBLY
13	2E3-062-01	ROTOR NUT	46	2B2-113-09	BODY COVER (R)
14	2M3-142-01	MAIN SHAFT	47	2Z1-009-05	711-3 BALL BEARING
15	2R1-162-02	ROTOR	48	2M2-023-01	OSCILLATING CAM
16	2R5-200-01	BAIL PAWL	49	2G3-091-01	OSCILLATING GEAR
17	2Q3-125-01	ANTI-REVERSE PAWL SPRING	50	2M1-068-01	OSCILLATING SILDER
18	2R4-228-01	BAIL TRIP COVER	51	2E2-030-02	F20M-050 SCREW
19	2E1-020-02	B22-055 SCREW	52	2E5-060-01	OSCILLATING SLIDER RETAINER
20	2R2-069-08	BAIL ARM	53	2E1-060-01	A26-060 SCREW
21	2E2-018-03	B30M-080 SCREW	54	2G1-142-01	DRIVE GEAR
22	2E1-025-01	b30-080 SCREW	55	2W1-259-01	071-095 WASHER
23	2C1-056-01	LINE ROLLER COLLAR	56	2B2-146-02	BODY COVER (L)
24	2Z1-012-05	407-2.5 BALL BEARING	57	2E1-055-01	A26-100 SCREW
25	2R6-012-01	LINE ROLLER	58	2YH-504-01	HANDLE TOTAL ASSEMBLY
26	2C2-032-01	LINE ROLLER BUSH	59	2C3-042-01	HANDLE SCREW SLEEVE
27	2YL-179-01	BAIL ASSEMBLY	60	2H6-017-01	HANDLE SCREW CAP
28	2R5-165-01	BAIL TRIP SHAFT	61	2A1-034-10	ANTI-REVERSE LEVER
29	2W1-199-01	015-027 WASHER	62	2E2-013-02	B20M-060 SCREW
30	2Q1-117-01	BAIL SPRING	63	2F5-412-01	REAR COVER
31	2C2-121-01	BAIL SPRING GUIDE	64	2E2-092-01	B20M-050 SCREW
32	2R4-186-04	BAIL SPRING COVER	SX1500	SPECIAL PARTS	
33	2F5-356-01	ROLLER CLUTCH RETAINER	5	2YT-412-11	SPOOL TOTAL ASSEMBLY



SPINNING REEL

LIBRA

SX2500



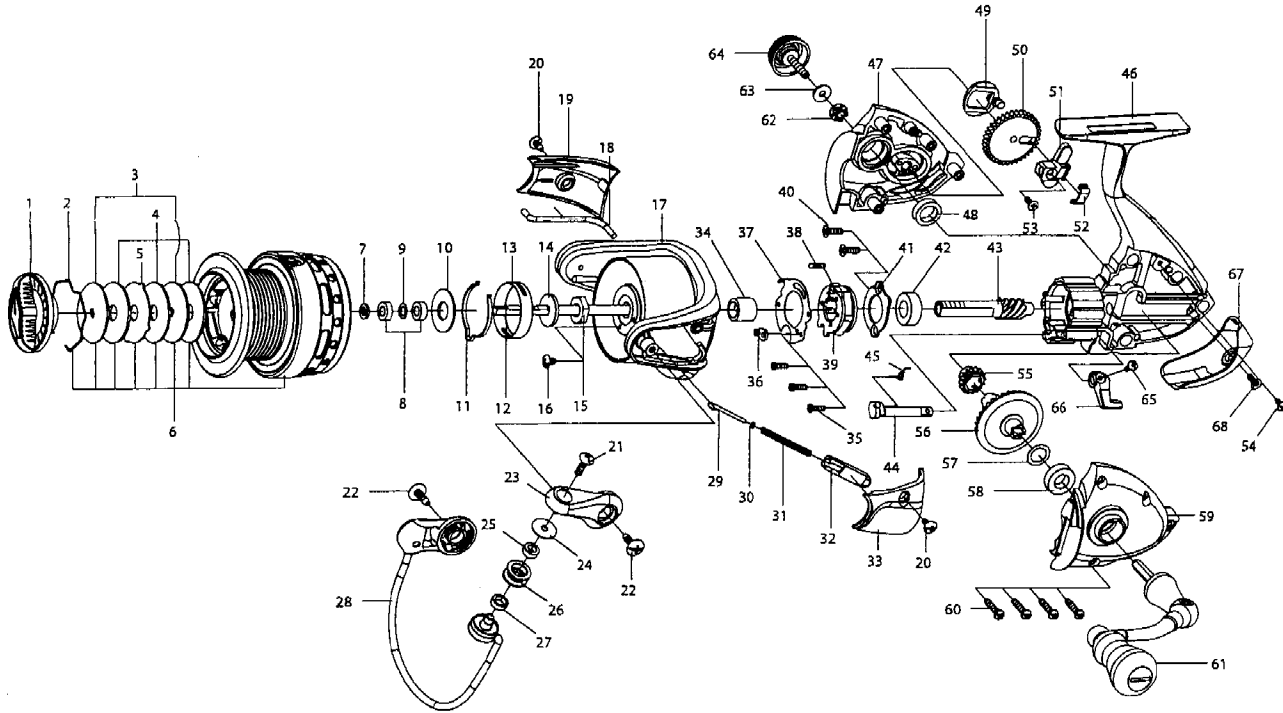
Key NO.	Parts No.	Parts name	Key NO.	Parts No.	Parts name
1	2YD-089-15	DRAG KNOB ASSEMBLY	34	2E2-044-01	A20M-050 SCREW
2	2E4-034-01	DRAG WASHER RETAINER	35	2F5-356-01	ROLLER CLUTCH RETAINER
3	2W2-071-01	KEY WASHER	36	2YZ-019-01	ONE-WAY CLUTCH BEARING ASSEMBLY
4	2W1-226-02	080-260 WASHER	37	2Q2-016-01	SPRING
5	2YT-414-13	SPOOL TOTAL ASSEMBLY	38	2E2-052-02	F26M-080 SCREW
6	2W2-016-01	KEY WASHER	39	2F5-212-01	BEARING RETAINER
7	2Z1-029-05	408-3 BALL BEARING	40	2Z1-003-05	714-5 BALL BEARING
8	2C1-119-01	SPACER	41	2G2-158-01	PINION GEAR
9	2W1-053-01	080-185 WASHER	42	2A2-088-01	ANTI-REVERSE CAM
10	2L3-014-01	CLICK LEAF SPRING	43	2Q3-102-01	ANTI-REVERSE SPRING
11	2F8-013-01	CLICK LEAF SPRING HOLDER	44	2YB-261-02	BODY ASSEMBLY
12	2M3-123-01	MAIN SHAFT	45	2B2-097-12	BODY COVER (R)
13	2W2-015-01	KEY WASHER	46	2Z1-009-05	711-3 BALL BEARING
14	2E3-007-01	ROTOR NUT	47	2M2-018-01	OSCILLATING CAM
15	2E1-036-01	B26-040 SCREW	48	2G3-084-01	OSCILLATING GEAR
16	2R1-155-02	ROTOR	49	2M1-061-01	OSCILLATING SLIDER
17	2R5-193-01	BAIL PAWL	50	2E5-054-01	OSCILLATING SLIDER RETAINER
18	2R4-182-04	BAIL TRIP COVER	51	2E2-009-02	F23M-060 SCREW
19	2E1-015-02	B26-060 SCREW	52	2E1-045-01	A26-080 SCREW
20	2E2-007-01	B30M-100 SCREW	53	2G1-144-01	DRIVE GEAR
21	2E1-010-04	b30-100 SCREW	54	2W1-019-00	071-103 WASHER
22	2R2-063-08	BAIL ARM	55	2Z1-010-05	812-3.5 BALL BEARING
23	2C1-034-01	LINE ROLLER COLLAR	56	2B2-096-12	BODY COVER (L)
24	2Z1-012-05	407-2.5 BALL BEARING	57	2E2-089-01	A26M-045 SCREW
25	2R6-020-01	LINE ROLLER	58	2E1-005-02	A26-120 SCREW
26	2C2-032-01	LINE ROLLER BUSH	59	2YH-450-01	HANDLE TOTAL ASSEMBLY
27	2YL-167-02	BAIL ASSEMBLY	60	2C3-042-01	HANDLE SCREW SLEEVE
28	2R5-135-01	BAIL TRIP SHAFT	61	2H6-017-01	HANDLE SCREW CAP
29	2W1-199-01	015-027 WASHER	62	2A1-034-09	ANTI-REVERSE LEVER
30	2Q1-096-01	BAIL SPRING	63	2E2-013-02	B20M-060 SCREW
31	2C2-119-01	BAIL SPRING GUIDE	64	2F5-355-01	REAR COVER
32	2R4-183-04	BAIL SPRING COVER	65	2E2-055-01	B23M-050 SCREW
33	2A4-021-01	ONE-WAY CLUTCH INNER TUBE			



SPINNING REEL

LIBRA

SX3000/SX3500



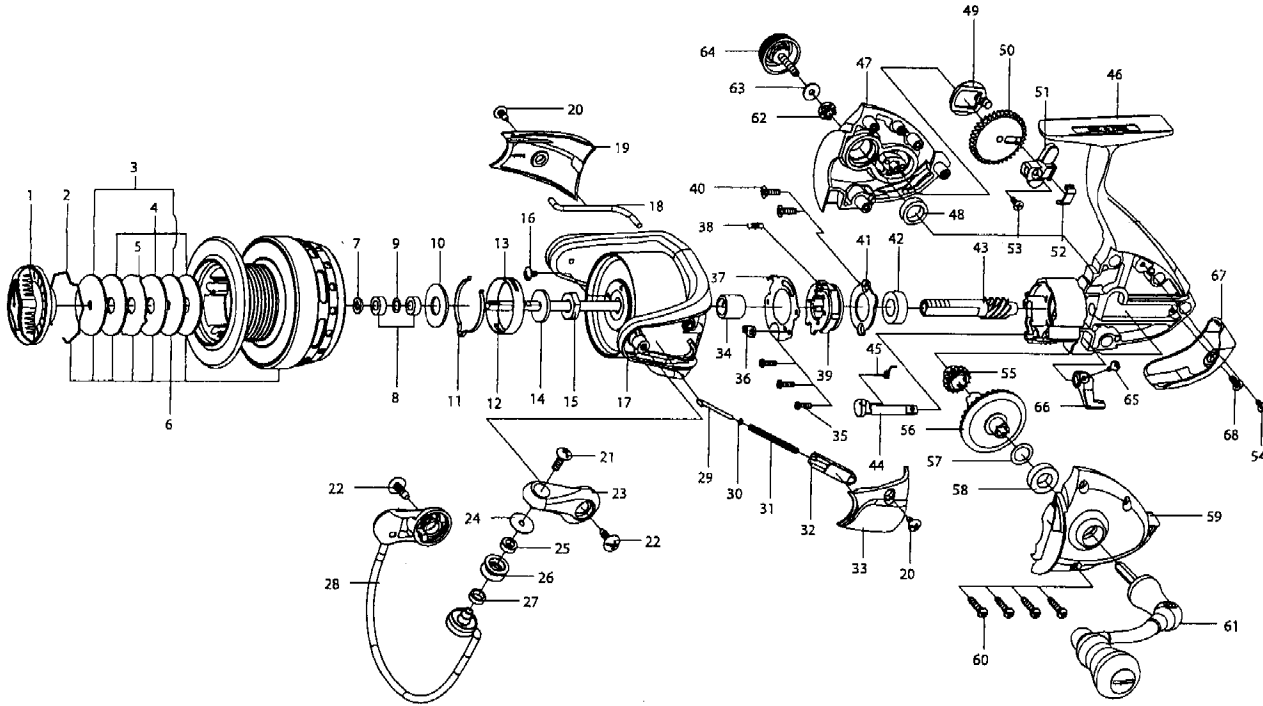
Key NO.	Parts No.	Parts name	Key NO.	Parts No.	Parts name
1	2YD-089-16	DRAG KNOB ASSEMBLY	36	2F8-079-01	ANTI-REVERSE SPRING ANCHOR
2	2E4-034-01	DRAG WASHER RETAINER	37	2F5-192-01	ROLLER CLUTCH RETAINER
3	2W2-071-01	KEY WASHER	38	2Q2-016-01	SPRING
4	2W1-226-02	080-260 WASHER	39	2YZ-014-01	ONE-WAY CLUTCH BEARING ASSEMBLY
5	2W3-035-01	EARED WASHER	40	2E2-052-01	F26M-080 SCREW
6	2YT-415-13	SPOOL TOTAL ASSEMBLY	41	2F5-193-01	BEARING RETAINER
7	2W2-016-01	KEY WASHER	42	2Z1-003-05	714-5 BALL BEARING
8	2Z1-029-05	408-3 BALL BEARING	43	2G2-155-01	PINION GEAR
9	2C1-119-01	SPACER	44	2A2-031-01	ANTI-REVERSE CAM
10	2W1-237-01	070-225 WASHER	45	2Q3-009-01	ANTI-REVERSE SPRING
11	2L3-015-01	CLICK LEAF SPRING	46	2YB-262-03	BODY ASSEMBLY
12	2M3-120-01	MAIN SHAFT	47	2B2-110-15	BODY CAVER(R)
13	2F8-019-02	CLICK LEAF SPRING HOLDER	48	2Z1-010-05	812-3.5 BALL BEARING
14	2W2-015-01	KEY WASHER	49	2M2-016-02	OSCILLATING CAM
15	2E3-007-01	ROTOR NUT	50	2G3-081-01	OSCILLATING GEAR
16	2E1-036-01	B26-040 SCREW	51	2M1-057-01	OSCILLATING SILDER
17	2R1-156-03	ROTOR	52	2E5-051-01	OSCILLATING SILDER RETAINER
18	2R5-194-01	BAIL PAWL	53	2E2-009-02	F23M-060 SCREW
19	2R4-220-04	BAIL TRIP COVER	54	2E1-020-02	B22-055 SCREW
20	2E1-015-02	B26-060 SCREW	55	2G3-068-01	DRIVE PINION
21	2E2-007-01	B30M-100 SCREW	56	2G1-141-01	DRIVE GEAR
22	2E1-010-01	b30-100 SCREW	57	2W1-019-00	071-103 WASHER
23	2R2-062-09	BAIL ARM	58	2Z1-039-05	713-4 BALL BEARING
24	2C1-034-01	LINE ROLLER COLLAR	59	2B2-111-15	BODY CAVER(L)
25	2Z1-012-05	407-2.5 BALL BEARING	60	2E1-005-02	A26-120 SCREW
26	2R6-020-01	LINE ROLLER	61	2YH-450-01	HANDLE TOTAL ASSEMBLY
27	2C2-032-01	LINE ROLLER BUSH	62	2C3-042-01	HANDLE SCREW SLEEVE
28	2YL-169-02	BAIL ASSEMBLY	63	2W1-004-01	029-080 WASHER
29	2R5-135-01	BAIL TRIP SHAFT	64	2H6-017-01	HANDLE SCREW CAP
30	2W1-199-01	015-027 WASHER	65	2E2-013-02	B20M-060 SCREW
31	2Q1-128-01	BAIL SPRING	66	2A1-033-10	ANTI-REVERSE LEVER
32	2C2-119-01	BAIL SPRING GUIDE	67	2F5-389-01	REAR COVER
33	2R4-184-04	BAIL SPRING COVER	68	2E2-051-01	B23M-060 SCREW
34	2A4-021-01	ONE-WAY CLUTCH INNER TUBE	SX3500		SPECIAL PARTS
35	2E2-047-02	A20M-065 SCREW	6	2YT-437-10	SPOOL TOTAL ASSEMBLY



SPINNING REEL

STUNNA

SX4000/SX4500



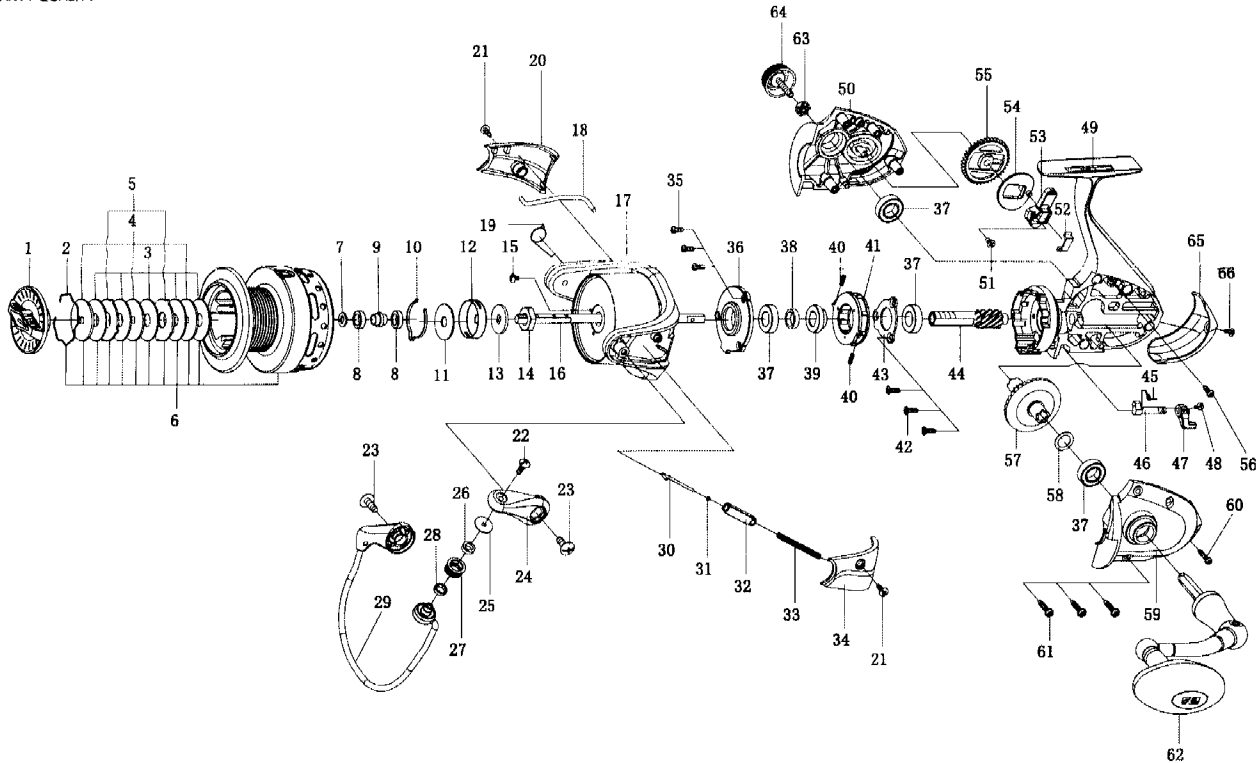
Key NO.	Parts No.	Parts name	Key NO.	Parts No.	Parts name
1	2YD-089-16	DRAG KNOB ASSEMBLY	36	2F8-079-01	ANTI-REVERSE SPRING ANCHOR
2	2E4-034-01	DRAG WASHER RETAINER	37	2F5-192-01	ROLLER CLUTCH RETAINER
3	2W2-071-01	KEY WASHER	38	2Q2-016-01	SPRING
4	2W1-226-02	080-260 WASHER	39	2YZ-014-01	ONE-WAY CLUTCH BEARING ASSEMBLY
5	2W3-035-01	EARED WASHER	40	2E2-052-01	F26M-080 SCREW
6	2YT-416-15	SPOOL TOTAL ASSEMBLY	41	2F5-193-01	BEARING RETAINER
7	2W2-016-01	KEY WASHER	42	2Z1-003-05	714-5 BALL BEARING
8	2Z1-029-05	408-3 BALL BEARING	43	2G2-155-01	PINION GEAR
9	2C1-119-01	SPACER	44	2A2-031-01	ANTI-REVERSE CAM
10	2W1-237-01	070-225 WASHER	45	2Q3-009-01	ANTI-REVERSE SPRING
11	2L3-015-01	CLICK LEAF SPRING	46	2YB-262-03	BODY ASSEMBLY
12	2M3-120-01	MAIN SHAFT	47	2B2-110-15	BODY COVER(R)
13	2F8-019-02	CLICK LEAF SPRING HOLDER	48	2Z1-010-05	812-3.5 BALL BEARING
14	2W2-015-01	KEY WASHER	49	2M2-016-02	OSCILLATING CAM
15	2E3-007-01	ROTOR NUT	50	2G3-081-01	OSCILLATING GEAR
16	2E1-036-01	B26-040 SCREW	51	2M1-057-01	OSCILLATING SILDER
17	2R1-157-03	ROTOR	52	2E5-051-01	OSCILLATING SILDER RETAINER
18	2R5-195-01	BAIL PAWL	53	2E2-009-02	F23M-060 SCREW
19	2R4-221-04	BAIL TRIP COVER	54	2E1-020-02	B22-055 SCREW
20	2E1-015-02	B26-060 SCREW	55	2G3-068-01	DRIVE PINION
21	2E2-007-01	B30M-100 SCREW	56	2G1-141-01	DRIVE GEAR
22	2E1-010-01	b30-100 SCREW	57	2W1-019-00	071-103 WASHER
23	2R2-062-09	BAIL ARM	58	2Z1-039-05	713-4 BALL BEARING
24	2C1-034-01	LINE ROLLER COLLAR	59	2B2-111-15	BODY COVER(L)
25	2Z1-012-05	407-2.5 BALL BEARING	60	2E1-005-02	A26-120 SCREW
26	2R6-020-01	LINE ROLLER	61	2YH-450-01	HANDLE TOTAL ASSEMBLY
27	2C2-032-01	LINE ROLLER BUSH	62	2C3-042-01	HANDLE SCREW SLEEVE
28	2YL-170-02	BAIL ASSEMBLY	63	2W1-004-01	029-080 WASHER
29	2R5-135-01	BAIL TRIP SHAFT	64	2H6-017-01	HANDLE SCREW CAP
30	2W1-199-01	015-027 WASHER	65	2E2-013-02	B20M-060 SCREW
31	2Q1-128-01	BAIL SPRING	66	2A1-033-10	ANTI-REVERSE LEVER
32	2C2-119-01	BAIL SPRING GUIDE	67	2F5-389-01	REAR COVER
33	2R4-180-05	BAIL SPRING COVER	68	2E2-051-01	B23M-060 SCREW
34	2A4-021-01	ONE-WAY CLUTCH INNER TUBE	SX4500	SPECIAL PARTS	
35	2E2-047-02	A20M-065 SCREW	6	2YT-438-10	SPOOL TOTAL ASSEMBLY



SPINNING REEL

LIBRA

SX6000



Key NO.	Parts No.	Parts name	Key NO.	Parts No.	Parts name
1	2YD-097-09	DRAG KNOB ASSEMBLY	34	2R4-196-04	BAIL SPRING COVER
2	2E4-034-01	DRAG WASHER RETAINER	35	2E2-037-01	A26M-060 SCREW
3	2W1-090-02	082-260 WASHER	36	2F8-124-01	BEARING HOLDER
4	2W2-061-01	KEY WASHER	37	2Z1-035-05	917-5 BALL BEARING
5	2W3-031-01	EARED WASHER	38	2C1-126-01	COLLAR
6	2YT-418-11	SPOOL TOTAL ASSEMBLY	39	2A4-019-05	ONE-WAY CLUTCH INNER TUBE
7	2W2-081-01	KEY WASHER	40	2Q1-071-01	CAGE SPRING
8	2Z1-009-05	711-3 BALL BEARING	41	2YZ-020-01	ONE-WAY CLUTCH BEARING ASSEMBLY
9	2C1-121-01	SPACER	42	2E2-052-02	F26M-080 SCREW
10	2L3-015-01	CLICK LEAF SPRING	43	2F5-259-01	BEARING RETAINER
11	2W1-237-01	070-225 WASHER	44	2G2-162-01	PINION GEAR
12	2F8-019-01	CLICK LEAF SPRING HOLDER	45	2Q3-009-01	ANTI-REVERSE SPRING
13	2W2-019-01	KEY WASHER	46	2A2-075-01	ANTI-REVERSE CAM
14	2E3-003-01	ROTOR NUT	47	2A1-034-10	ANTI-REVERSE LEVER
15	2E1-036-01	B26-040 SCREW	48	2E2-013-02	B20M-060 SCREW
16	2M3-149-01	MAIN SHAFT	49	2B1-206-02	BODY
17	2R1-161-02	ROTOR	50	2B2-123-08	BODY COVER (R)
18	2R5-199-01	BAIL PAWL	51	2E2-014-02	F26M-060 SCREW
19	2Q3-124-01	ANTI-REVERSE PAWL SPRING	52	2E5-062-01	OSCILLATING SLIDER RETAINER
20	2R4-227-01	BAIL TRIP COVER	53	2M1-073-01	OSCILLATING SILDER
21	2E1-016-02	B26-080 SCREW	54	2M2-015-01	OSCILLATING CAM
22	2E2-007-01	B30M-100 SCREW	55	2G3-093-01	OSCILLATING GEAR
23	2E1-072-01	B40-120 SCREW	56	2E1-045-01	A26-080 SCREW
24	2R2-067-08	BAIL ARM	57	2G1-152-01	DRIVE GEAR
25	2C1-049-01	LINE ROLLER COLLAR	58	2W1-014-01	091-130 WASHER
26	2Z1-001-05	508-2.5 BALL BEARING	59	2B2-144-02	BODY COVER (L)
27	2R6-018-01	LINE ROLLER	60	2E1-005-02	A26-120 SCREW
28	2C1-068-01	COLLAR	61	2E1-006-02	A30-130 SCREW
29	2YL-178-01	BAIL ASSEMBLY	62	2YH-462-01	HANDLE TOTAL ASSEMBLY
30	2R5-186-01	BAIL TRIP SHAFT	63	2C3-047-01	HANDLE SCREW SLEEVE
31	2W1-199-01	015-027 WASHER	64	2H6-021-02	HANDLE SCREW CAP
32	2C2-127-01	BAIL SPRING GUIDE	65	2F5-430-01	REAR COVER
33	2Q1-127-01	BAIL SPRING	66	2E2-055-01	B23M-050 SCREW