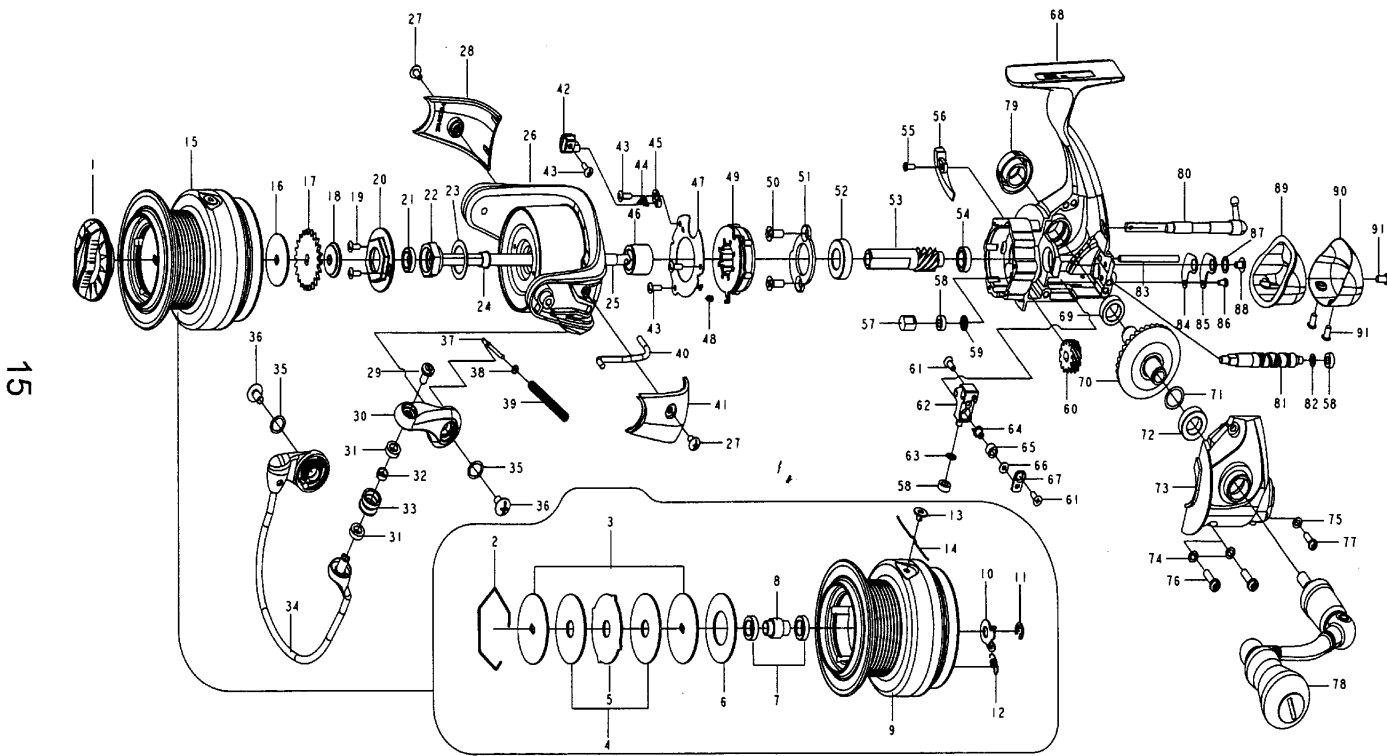


TG3000

GEAR RATIO (6.3/5.2)

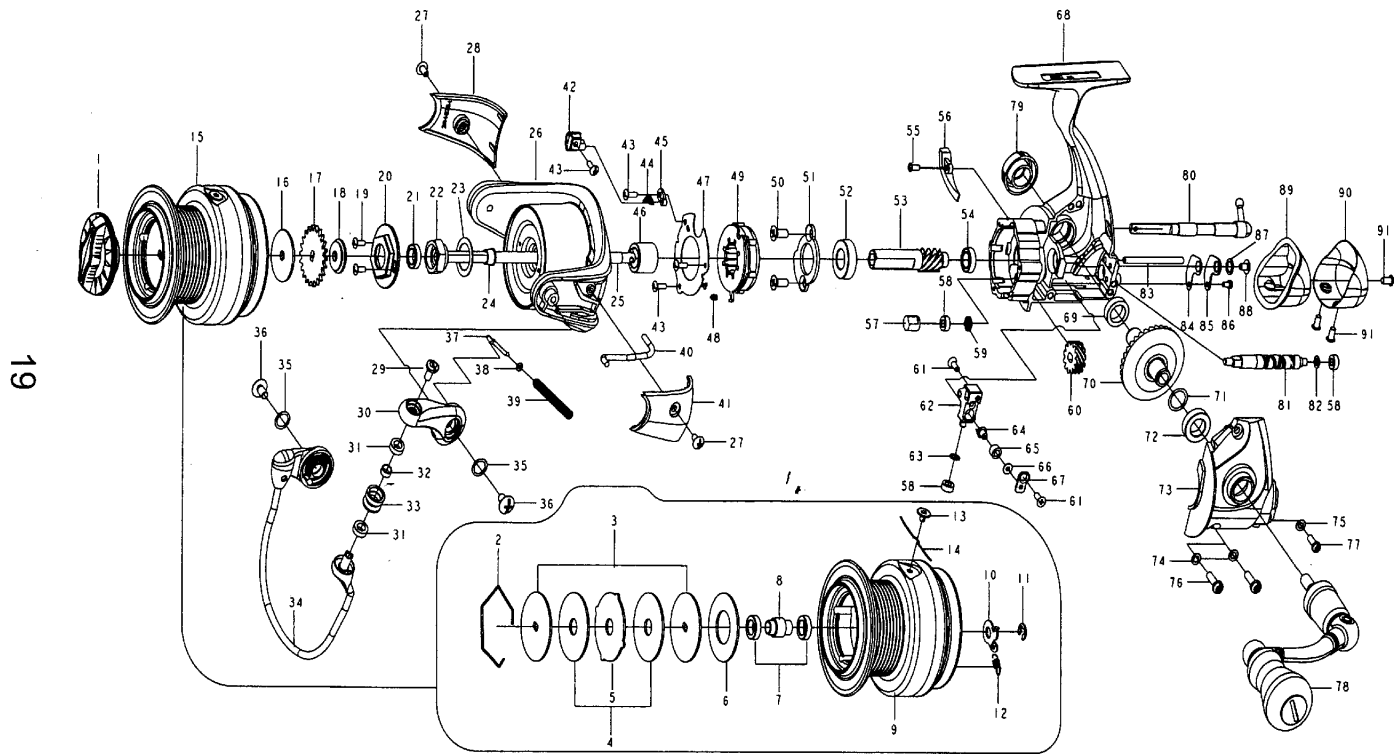


Key NO.	Parts No.	Parts name	Key NO.	Parts No.	Parts name	Key NO.	Parts No.	Parts name
1	2YD-112-01	DRAG KNOB ASSEMBLY	33	2R6-022-02	LINE ROLLER	65	2C2-034-01	LINE GUIDE PIN BUSH
2	2E4-040-01	DRAG WASHER RETAINER	34	2W1-283-01	060-080 WASHER	66	2W1-058-04	030-050 WASHER
3	2W2-088-02	KEY WASHER	35	2E2-015-04	B35M-060 SCREW	67	2F5-181-01	OSCILLATING SLIDER COVER
4	2W1-263-02	070-285 WASHER	36	2YL-177-01	BAIL ASSEMBLY	68	2YB-138-51	BODY ASSEMBLY
5	2W3-041-01	EARED WASHER	37	2R5-188-01	BAIL TRIP SHAFT	69	2Z1-010-02	812-3.5 BALL BEARING
6	2W1-264-02	140-285 WASHER	38	2W1-044-01	016-035 WASHER	70	2G1-169-01	DRIVE GEAR
7	2Z1-013-05	610-3 BALL BEARING	39	2Q1-132-02	BAIL SPRING	71	2W1-035-00	080-105 WASHER
8	2C1-134-01	COLLAR	40	2R5-198-01	BAIL PAWL	72	2Z1-023-05	814-4 BALL BEARING
9	2S1-419-01	SPOOL	41	2R4-225-01	BAIL TRIP COVER	73	2B2-037-03	BODY COVER
10	2F4-023-01	CLICK PAWL	42	2A2-060-01	CAM	74	2W1-058-06	030-050 WASHER
11	2E5-013-01	E3.0 RETAINER	43	2E2-013-02	B20M-060 SCREW	75	2W1-127-02	027-048 WASHER
12	2Q2-007-01	CLICK PAWL SPRING	44	2Q3-009-01	ANTI-REVERSE SPRING	76	2E2-060-03	A30M-100 SCREW
13	2S4-019-01	LINE STOPPER	45	2F8-079-01	ANTI-REVERSE SPRING ANCHOR	77	2E2-031-01	A26M-075 SCREW
14	2Q3-121-01	SPRING	46	2A4-026-01	ONE-WAY CLUTCH INNER TUBE	78	2YH-469-01	HANDLE TOTAL ASSEMBLY
15	2YT-515-01	SPOOL TOTAL ASSEMBLY	47	2F5-189-01	ROLLER CLUTCH RETAINER	79	2H6-015-01	HANDLE SCREW CAP
16	2W1-280-01	090-260 WASHER	48	2Q2-016-01	SPRING	80	2A2-059-02	ANTI-REVERSE CAM
17	2F3-074-02	CLICK GEAR	49	2YZ-017-01	ONE-WAY CLUTCH BEARING ASSEMBLY	81	2M4-018-01	WORM SHAFT
18	2E9-053-01	PROOF WATER RING	50	2E2-011-01	F30M-080 SCREW	82	2W1-058-03	030-050 WASHER
19	2E2-092-01	B20M-050 SCREW	51	2F5-203-01	BEARING RETAINER	83	2P1-025-01	OSCILLATING SLIDER PIN
20	2F6-120-01	ROTOR NUT HOLDING PLATE	52	2Z1-005-05	816-5 BALL BEARING	84	2W5-031-01	WORM SHAFT COVER GASKET
21	2Z1-030-05	610-2.5 BALL BEARING	53	2G2-069-01	PINION GEAR	85	2F5-161-01	WORM SHAFT COVER
22	2E3-093-01	ROTOR NUT	54	2Z1-013-05	610-3 BALL BEARING	86	2E2-050-01	A20M-035 SCREW
23	2W1-198-01	111-158 WASHER	55	2E2-099-01	B20M-050 SCREW	87	2W1-124-02	045-065 WASHER
24	2C2-061-01	WORM SHAFT COLLAR	56	2B4-019-01	BODY COVER FLANGE	88	2E2-003-01	B26M-036 SCREW
25	2M3-169-01	MAIN SHAFT	57	2C2-036-01	WORM SHAFT BUSH	89	2F6-054-01	WATER SHIELD
26	2E2-006-03	B26M-050 SCREW	58	2Z1-014-05	306-2.5 BALL BEARING	90	2F5-162-02	REAR COVER
27	2R4-226-01	BAIL TRIP COVER	59	2C1-071-01	WORM SHAFT COLLAR	91	2E2-095-01	B26M-050 SCREW
28	2R1-160-01	ROTOR	60	2G3-044-01	OSCILLATING GEAR	TG3000<5.2> SPECIAL PARTS		
29	2E0-031-02	X30M-070 SCREW	61	2E2-009-01	F23M-060 SCREW	9	2S1-419-02	SPOOL
30	2R2-077-01	BAIL ARM	62	2M1-032-01	OSCILLATING SLIDER	13	2YT-515-02	SPOOL TOTAL ASSEMBLY
31	2Z1-012-05	407-2.5 BALL BEARING	63	2W1-058-02	030-050 WASHER	51	2G2-056-01	PINION GEAR
32	2C1-077-01	LINE ROLLER COLLAR	64	2M5-007-01	LINE GUIDE PIN	58	2G3-037-01	WORM SHAFT GEAR
						68	2G1-168-01	DRIVE GEAR

Please order by parts number, not key number *Bitte, Best.-Nr. angeben (Nicht "key" -nr.)*
 Veuillez indiquer le numero de la piece (Non "key" no.)

TG4000

GEAR RATIO (6.3/5.2)



19

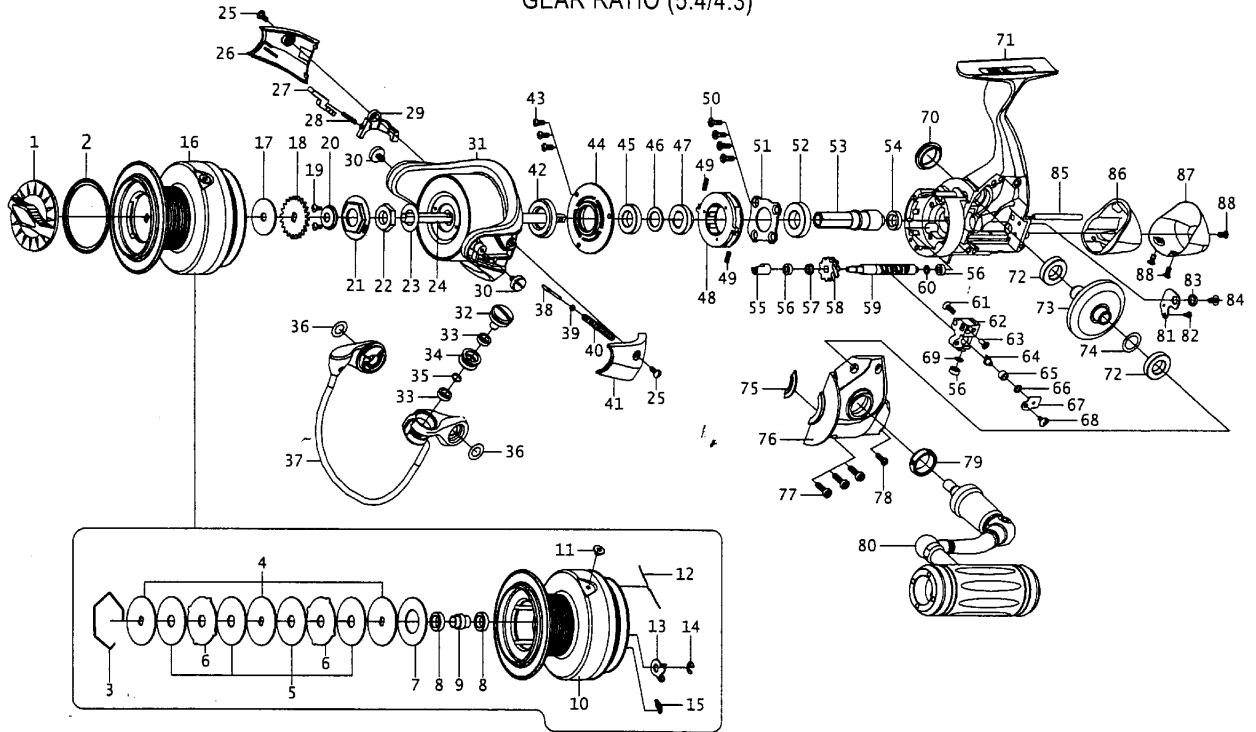
20

Key NO.	Parts No.	Parts name	Key NO.	Parts No.	Parts name	Key NO.	Parts No.	Parts name
1	2YD-112-01	DRAG KNOB ASSEMBLY	33	2R6-022-02	LINE ROLLER	65	2C2-034-01	LINE GUIDE PIN BUSH
2	2E4-040-01	DRAG WASHER RETAINER	34	2W1-283-01	060-080 WASHER	66	2W1-058-04	030-050 WASHER
3	2W2-088-02	KEY WASHER	35	2E2-015-04	B35M-060 SCREW	67	2F5-181-01	OSCILLATING SLIDER COVER
4	2W1-263-02	070-285 WASHER	36	2YL-177-01	BAIL ASSEMBLY	68	2YB-138-51	BODY ASSEMBLY
5	2W3-041-01	EARED WASHER	37	2R5-188-01	BAIL TRIP SHAFT	69	2Z1-010-02	812-3.5 BALL BEARING
6	2W1-264-02	140-285 WASHER	38	2W1-044-01	016-035 WASHER	70	2G1-169-01	DRIVE GEAR
7	2Z1-013-05	610-3 BALL BEARING	39	2Q1-132-02	BAIL SPRING	71	2W1-035-00	080-105 WASHER
8	2C1-134-01	COLLAR	40	2R5-198-01	BAIL PAWL	72	2Z1-023-05	814-4 BALL BEARING
9	2S1-430-01	SPOOL	41	2R4-225-01	BAIL TRIP COVER	73	2B2-037-03	BODY COVER
10	2F4-023-01	CLICK PAWL	42	2A2-060-01	CAM	74	2W1-058-06	030-050 WASHER
11	2E5-013-01	E3.0 RETAINER	43	2E2-013-02	B20M-060 SCREW	75	2W1-127-02	027-048 WASHER
12	2Q2-007-01	CLICK PAWL SPRING	44	2Q3-009-01	ANTI-REVERSE SPRING	76	2E2-060-03	A30M-100 SCREW
13	2S4-019-01	LINE STOPPER	45	2F8-079-01	ANTI-REVERSE SPRING ANCHOR	77	2E2-031-01	A26M-075 SCREW
14	2Q3-121-01	SPRING	46	2A4-026-01	ONE-WAY CLUTCH INNER TUBE	78	2YH-469-01	HANDLE TOTAL ASSEMBLY
15	2YT-522-01	SPOOL TOTAL ASSEMBLY	47	2F5-189-01	ROLLER CLUTCH RETAINER	79	2H6-015-01	HANDLE SCREW CAP
16	2W1-280-01	090-260 WASHER	48	2Q2-016-01	SPRING	80	2A2-059-02	ANTI-REVERSE CAM
17	2F3-074-02	CLICK GEAR	49	2YZ-017-01	ONE-WAY CLUTCH BEARING ASSEMBLY	81	2M4-018-01	WORM SHAFT
18	2E9-053-01	PROOF WATER RING	50	2E2-011-01	F30M-080 SCREW	82	2W1-058-03	030-050 WASHER
19	2E2-092-01	B20M-050 SCREW	51	2F5-203-01	BEARING RETAINER	83	2P1-025-01	OSCILLATING SLIDER PIN
20	2F6-120-01	ROTOR NUT HOLDING PLATE	52	2Z1-005-05	816-5 BALL BEARING	84	2W5-031-01	WORM SHAFT COVER GASKET
21	2Z1-030-05	610-2.5 BALL BEARING	53	2G2-069-01	PINION GEAR	85	2F5-161-01	WORM SHAFT COVER
22	2E3-093-01	ROTOR NUT	54	2Z1-013-05	610-3 BALL BEARING	86	2E2-050-01	A20M-035 SCREW
23	2W1-198-01	111-158 WASHER	55	2E2-099-01	B20M-050 SCREW	87	2W1-124-02	045-065 WASHER
24	2C2-061-01	WORM SHAFT COLLAR	56	2B4-019-01	BODY COVER FLANGE	88	2E2-003-01	B26M-036 SCREW
25	2M3-169-01	MAIN SHAFT	57	2C2-036-01	WORM SHAFT BUSH	89	2F6-054-01	WATER SHIELD
26	2E2-006-03	B26M-050 SCREW	58	2Z1-014-05	306-2.5 BALL BEARING	90	2F5-162-02	REAR COVER
27	2R4-226-01	BAIL TRIP COVER	59	2C1-071-01	WORM SHAFT COLLAR	91	2E2-095-01	B26M-050 SCREW
28	2R1-160-01	ROTOR	60	2G3-044-01	OSCILLATING GEAR	TG4000<5.2> SPECIAL PARTS		
29	2E0-031-02	X30M-070 SCREW	61	2E2-009-01	F23M-060 SCREW			
30	2R2-077-01	BAIL ARM	62	2M1-032-01	OSCILLATING SLIDER	9	2S1-430-02	SPOOL
31	2Z1-012-05	407-2.5 BALL BEARING	63	2W1-058-02	030-050 WASHER	13	2YT-522-02	SPOOL TOTAL ASSEMBLY
32	2C1-077-01	LINE ROLLER COLLAR	64	2M5-007-01	LINE GUIDE PIN	51	2G2-056-01	PINION GEAR
						58	2G3-037-01	WORM SHAFT GEAR
						68	2G1-168-01	DRIVE GEAR

Please order by parts number, not key number Bitte, Best.-Nr. angeben (Nicht "key" -nr.)
Veuillez indiquer le numéro de la pièce (Non "key" -nr.)

TG6000

GEAR RATIO (5.4/4.3)



17

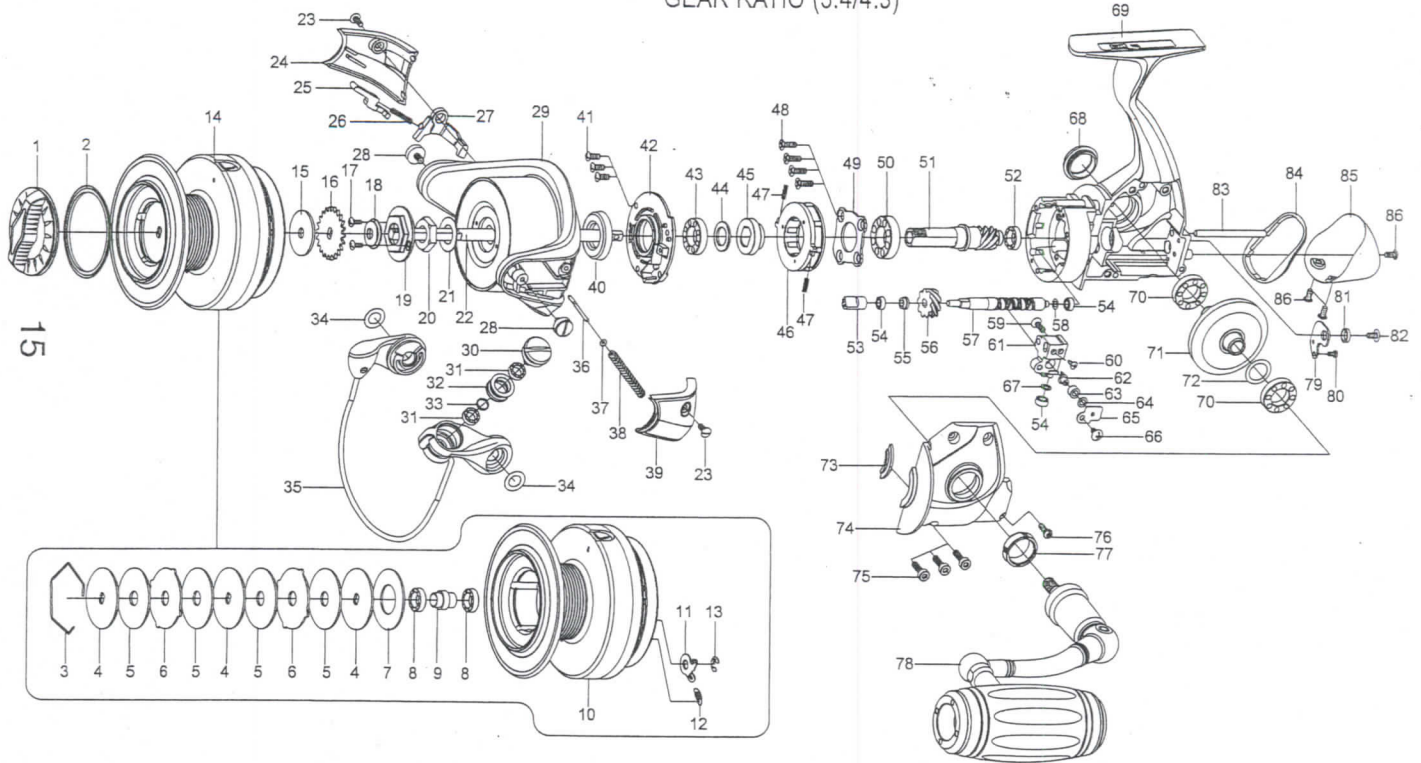
18

Key NO.	Parts No.	Parts name	Key NO.	Parts No.	Parts name	Key NO.	Parts No.	Parts name
1	2YD-101-01	DRAG KNOB ASSEMBLY	33	2Z1-001-05	508-2.5 BALL BEARING	65	2C2-034-01	LINE GUIDE PIN BUSH
2	2E9-049-01	PROOF WATER RING	34	2R6-028-02	LINE ROLLER	66	2W1-058-04	030-050 WASHER
3	2E4-040-01	DRAG WASHER RETAINER	35	2W4-008-01	SPACER	67	2F5-051-01	OSCILLATING SLIDER COVER
4	2W2-088-01	KEY WASHER	36	2W1-267-01	061-105 WASHER	68	2E2-006-03	B26M-050 SCREW
5	2W1-263-02	070-285 WASHER	37	2YL-171-01	BAIL ASSEMBLY	69	2W1-058-03	030-050 WASHER
6	2W3-041-01	EARED WASHER	38	2R5-184-01	BAIL TRIP SHAFT	70	2H6-011-02	HANDLE SCREW CAP
7	2W1-264-02	140-285 WASHER	39	2W1-044-01	016-035 WASHER	71	2YB-250-01	BODY ASSEMBLY
8	2Z1-009-05	711-3 BALL BEARING	40	2Q1-122-01	BAIL SPRING	72	2Z1-007-05	917-4 BALL BEARING
9	2C1-124-01	SPACER	41	2R4-223-01	BAIL SPRING COVER	73	2G1-166-01	DRIVE GEAR
10	2S1-415-01	SPOOL	42	2E9-046-01	PROOF WATER RING	74	2W1-014-03	091-130 WASHER
11	2S4-019-01	LINE STOPPER	43	2E2-040-01	b26M-060 SCREW	75	2E9-051-01	PROOF WATER RING
12	2Q3-121-01	SPRING	44	2F5-441-01	ROLLER CLUTCH RETAINER	76	2B2-027-03	BODY COVER
13	2F4-023-01	CLICK PAWL	45	2Z1-007-05	917-4 BALL BEARING	77	2E2-064-03	H30M-100 SCREW
14	2E5-013-01	E3.0 RETAINER	46	2C1-123-01	SPACER	78	2E2-031-01	A26M-075 SCREW
15	2Q2-007-01	CLICK PAWL SPRING	47	2A4-019-05	ONE-WAY CLUTCH INNER TUBE	79	2B4-009-01	BODY FLANGE
16	2YT-511-01	SPOOL TOTAL ASSEMBLY	48	2YZ-015-01	ONE-WAY CLUTCH BEARING ASSEMBLY	80	2YH-463-01	HANDLE TOTAL ASSEMBLY
17	2W1-266-04	050-210 WASHER	49	2Q1-071-01	CAGE SPRING	81	2F5-068-01	WORM SHAFT COVER
18	2F3-074-01	CLICK GEAR	50	2E2-052-02	F26M-080 SCREW	82	2E2-050-01	A20M-035 SCREW
19	2E2-092-01	B20M-050 SCREW	51	2F5-178-01	BEARING RETAINER	83	2W4-006-01	SPACER
20	2E9-050-01	PROOF WATER RING	52	2Z1-008-05	1020-5 BALL BEARING	84	2E2-006-03	B26M-050 SCREW
21	2F6-120-01	ROTOR NUT HOLDING PLATE	53	2G2-170-01	PINION GEAR	85	2P1-021-01	OSCILLATING SLIDER PIN
22	2E3-003-01	ROTOR NUT	54	2Z1-009-05	711-3 BALL BEARING	86	2F6-014-01	WATER SHIELD
23	2W1-265-01	092-160 WASHER	55	2C2-130-01	WORM SHAFT BUSH	87	2F5-067-03	REAR COVER
24	2M3-154-01	MAIN SHAFT	56	2Z1-014-05	306-2.5 BALL BEARING	88	2E2-095-01	B26M-050 SCREW
25	2E0-010-02	X26M-060 SCREW	57	2C1-046-01	COLLAR	TG6000<4.3> SPECIAL PARTS		
26	2R4-224-01	BAIL TRIP COVER	58	2G3-095-01	OSCILLATING GEAR	10	2S1-415-02	SPOOL
27	2R5-180-01	BAIL TRIP LEVER	59	2M4-006-02	WORM SHAFT	16	2YT-511-02	SPOOL TOTAL ASSEMBLY
28	2Q1-131-01	TAPPET SPRING	60	2W1-058-04	030-050 WASHER	53	2G2-172-01	PINION GEAR
29	2R5-192-01	GRIND LEVER	61	2E2-052-02	F26M-080 SCREW	58	2G3-097-01	OSCILLATING GEAR
30	2E0-008-01	BAIL HOLDER SCREW	62	2M1-022-01	OSCILLATING SLIDER	73	2G1-167-01	DRIVE GEAR
31	2R1-159-01	ROTOR	63	2E2-009-02	F23M-060 SCREW			
32	2E0-004-03	LINE ROLLER SCREW	64	2M5-001-01	LINE GUIDE PIN			

Please order by parts number, not key number Bitte, Best.-Nr. angeben (Nicht "key" -nr.)

TG8000

GEAR RATIO (5.4/4.3)



Key NO.	Parts No.	Parts name	Key NO.	Parts No.	Parts name	Key NO.	Parts No.	Parts name
1	2YD-101-01	DRAG KNOB ASSEMBLY	33	2W4-008-01	SPACER	63	2C2-034-01	LINE GUIDE PIN BUSH
2	2E9-049-01	PROOF WATER RING	34	2W1-267-01	061-105 WASHER	64	2W1-058-04	030-050 WASHER
3	2E4-040-01	DRAG WASHER RETAINER	35	2YL-160-01	BAIL ASSEMBLY	65	2F5-051-01	OSCILLATING SLIDER COVER
4	2W2-088-01	KEY WASHER	36	2R5-184-01	BAIL TRIP SHAFT	66	2E2-006-03	B26M-050 SCREW
5	2W1-263-01	070-285 WASHER	37	2W1-044-01	016-035 WASHER	67	2W1-058-03	030-050 WASHER
6	2W3-041-01	EARED WASHER	38	2Q1-122-01	BAIL SPRING	68	2H6-011-02	HANDLE SCREW CAP
7	2W1-264-01	140-285 WASHER	39	2YR-073-01	BAIL SPRING COVER ASSEMBLY	69	2YB-250-01	BODY ASSEMBLY
8	2Z1-009-05	711-3 BALL BEARING	40	2E9-046-01	PROOF WATER RING	70	2Z1-007-05	917-4 BALL BEARING
9	2C1-124-01	SPACER	41	2E2-040-01	b26M-060 SCREW	71	2G1-166-01	DRIVE GEAR
10	2YS-288-01	SPOOL ASSEMBLY	42	2F5-441-01	ROLLER CLUTCH RETAINER	72	2W1-014-03	091-130 WASHER
11	2F4-023-01	CLICK PAWL	43	2Z1-007-05	917-4 BALL BEARING	73	2E9-051-01	PROOF WATER RING
12	2Q2-007-01	CLICK PAWL SPRING	44	2C1-123-01	INTERVAL COVER	74	2B2-027-03	BODY COVER
13	2E5-013-01	E3.0 RETAINER	45	2A4-019-05	ONE-WAY CLUTCH INNER TUBE	75	2E2-064-03	H30M-100 SCREW
14	2YT-453-01	SPOOL TOTAL ASSEMBLY	46	2YZ-015-01	ONE-WAY CLUTCH BEARING ASSEMBLY	76	2E2-031-01	A26M-075 SCREW
15	2W1-266-01	050-210 WASHER	47	2Q1-071-01	CAGE SPRING	77	2B4-009-01	BODY FLANGE
16	2F3-074-01	CLICK GEAR	48	2E2-052-02	F26M-080 SCREW	78	2YH-380-01	HANDLE TOTAL ASSEMBLY
17	2E2-092-01	B20M-050 SCREW	49	2F5-178-01	BEARING RETAINER	79	2F5-068-01	WORM SHAFT COVER
18	2E9-050-01	PROOF WATER RING	50	2Z1-008-05	1020-5 BALL BEARING	80	2E2-050-01	A20M-035 SCREW
19	2F6-120-01	ROTOR NUT HOLDING PLATE	51	2G2-170-01	PINION GEAR	81	2W4-006-01	SPACER
20	2E3-003-01	ROTOR NUT	52	2Z1-009-05	711-3 BALL BEARING	82	2E2-006-03	B26M-050 SCREW
21	2W1-265-01	092-160 WASHER	53	2C2-130-01	WORM SHAFT BUSH	83	2P1-021-01	OSCILLATING SLIDER PIN
22	2M3-154-01	MAIN SHAFT	54	2Z1-014-05	306-2.5 BALL BEARING	84	2F6-014-01	WATER SHIELD
23	2E0-010-02	X26M-060 SCREW	55	2C1-046-01	COLLAR	85	2F5-067-03	REAR COVER
24	2YR-074-01	BAIL TRIP COVER ASSEMBLY	56	2G3-095-01	OSCILLATING GEAR	86	2E2-095-01	B26M-050 SCREW
25	2R5-180-01	BAIL TRIP LEVER	57	2M4-006-01	WORM SHAFT	GEAR RATIO 4.3 SPECIAL PARTS		
26	2Q1-131-01	TAPPET SPRING	58	2W1-058-04	030-050 WASHER	51	2G2-172-01	PINION GEAR
27	2R5-183-01	GRIND LEVER	59	2E2-052-02	F26M-080 SCREW	56	2G3-097-01	OSCILLATING GEAR
28	2E0-008-01	BAIL HOLDER SCREW	60	2E2-009-02	F23M-060 SCREW	71	2G1-167-01	DRIVE GEAR
29	2R1-148-01	ROTOR	61	2M1-022-01	OSCILLATING SLIDER			
30	2E0-004-03	LINE ROLLER SCREW	62	2M5-001-01	LINE GUIDE PIN			
31	2Z1-001-05	508-2.5 BALL BEARING						
32	2R6-028-02	LINE ROLLER						

16