

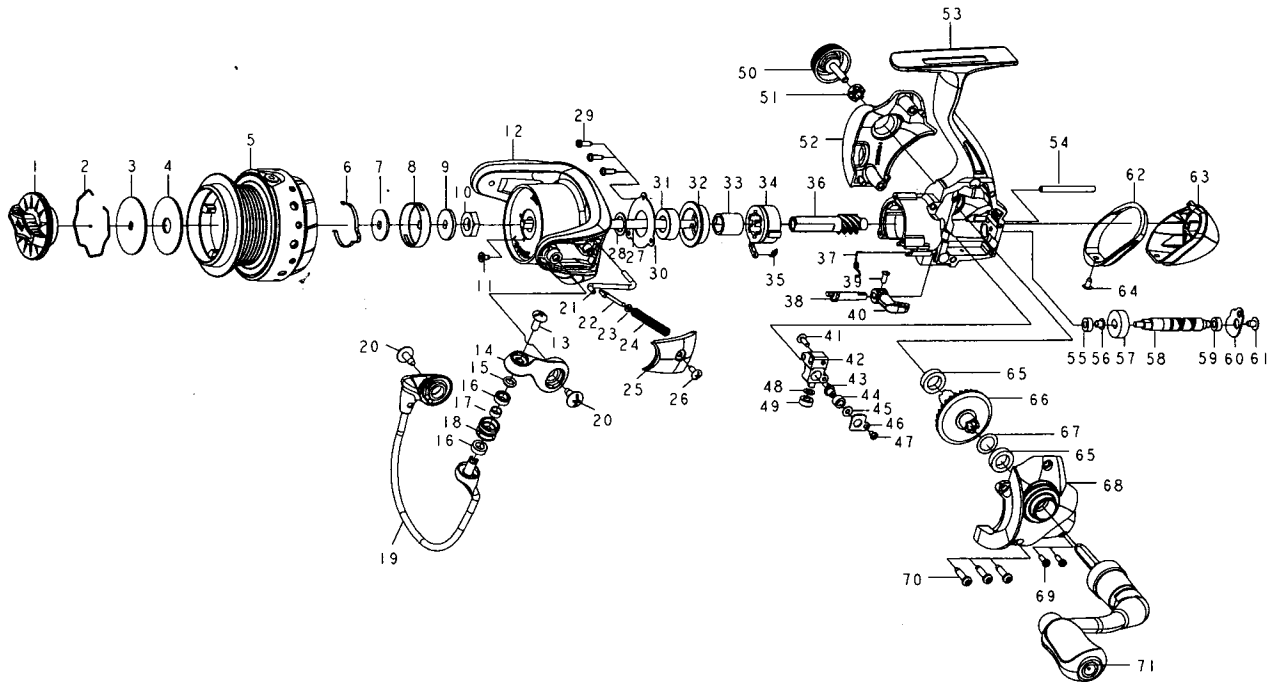


SPINNING REEL

**GALANT
X-TREME**

Please order by parts number, not key number
Bitte, Best.-Nr. angeben (Nicht "key"-nr.)
Veuillez indiquer le numero de la pièce (Non "key" no.)

**GAAT1000H/GAAT1000
GAAT1500H/GAAT1500**



Key NO.	Parts No.	Parts name	Key NO.	Parts No.	Parts name
1	2YD-124-02	DRAG KNOB ASSEMBLY	43	2M5-001-01	LINE GUIDE PIN
2	2E4-034-01	DRAG WASHER RETAINER	44	2C2-034-01	LINE GUIDE PIN BUSH
3	2W2-071-01	KEY WASHER	45	2W1-059-01	020-049 WASHER
4	2W1-226-02	080-260 WASHER	46	2F5-048-01	OSCILLATING SLIDER COVER
5	2YT-579-01	SPOOL TOTAL ASSEMBLY	47	2E2-022-01	B20M-030 SCREW
6	2L3-014-01	CLICK LEAF SPRING	48	2W1-058-04	030-050 WASHER
7	2W2-020-01	KEY WASHER	49	2Z1-014-05	306-2.5 BALL BEARING
8	2F8-013-02	CLICK LEAF SPRING HOLDER	50	2H6-017-02	HANDLE SCREW CAP
9	2W2-015-01	KEY WASHER	51	2C3-042-01	HANDLE SCREW SLEEVE
10	2E3-007-02	ROTOR NUT	52	2B2-153-02	BODY COVER (R)
11	2E1-056-01	B20-035 SCREW	53	2B1-217-02	BODY
12	2R1-169-02	ROTOR	54	2P1-015-01	OSCILLATING SLIDER PIN
13	2E2-018-01	B30M-080 SCREW	55	2C1-048-01	WORM SHAFT COLLAR
14	2R2-084-02	BAIL ARM	56	2C2-058-01	WORM SHAFT BUSH
15	2W4-020-01	LINE ROLLER NUT SPACER	57	2G3-047-01	OSCILLATING GEAR
16	2Z1-012-05	407-2.5 BALL BEARING	58	2M4-040-02	WORM SHAFT
17	2C1-077-01	LINE ROLLER COLLAR	59	2Z1-014-05	306-2.5 BALL BEARING
18	2R6-022-02	LINE ROLLER	60	2F5-495-01	WORM SHAFT COVER
19	2YL-198-01	BAIL ASSEMBLY	61	2E1-036-01	B26-040 SCREW
20	2E1-025-01	b30-080 SCREW	62	2F6-135-02	PROOF WATER RING
21	2R5-210-01	BAIL PAWL	63	2F5-499-01	REAR COVER
22	2R5-223-01	BAIL TRIP SHAFT	64	2E1-075-01	B22-045 SCREW
23	2W1-044-01	016-035 WASHER	65	2Z1-009-05	711-3 BALL BEARING
24	2Q1-141-01	BAIL SPRING	66	2G1-056-02	DRIVE GEAR
25	2R4-236-01	BAIL SPRING COVER	67	2W1-019-00	071-103 WASHER
26	2E1-065-01	B22-065 SCREW	68	2B2-152-02	BODY COVER (L)
27	2M3-177-01	MAIN SHAFT	69	2E1-050-01	A20-060 SCREW
28	2W1-019-05	071-103 WASHER	70	2E1-055-01	A26-100 SCREW
29	2E1-050-01	A20-060 SCREW	71	2YH-520-01	HANDLE TOTAL ASSEMBLY
30	2F5-517-01	ROLLER CLUTCH RETAINER	GAAT1000 SPECIAL PARTS		
31	2Z1-003-05	714-5 BALL BEARING	5	2YT-579-02	SPOOL TOTAL ASSEMBLY
32	2C1-144-01	BUSHING	36	2G2-036-01	PINION GEAR
33	2A4-095-01	ONE-WAY CLUTCH INNER TUBE	57	2G3-012-01	WORM SHAFT GEAR
34	2YZ-034-01	ONE-WAY CLUTCH BEARING ASSEMBLY	66	2G1-003-02	DRIVE GEAR
35	2Q2-024-01	SPRING	GAAT1500H SPECIAL PARTS		
36	2G2-073-01	PINION GEAR	5	2YT-562-01	SPOOL TOTAL ASSEMBLY
37	2Q3-129-01	ANTI-REVERSE SPRING	GAAT1500 SPECIAL PARTS		
38	2A2-123-01	ANTI-REVERSE CAM	5	2YT-562-02	SPOOL TOTAL ASSEMBLY
39	2E2-099-01	B20M-050 SCREW	36	2G2-036-01	PINION GEAR
40	2A1-041-02	ANTI-REVERSE LEVER	57	2G3-012-01	WORM SHAFT GEAR
41	2E2-013-02	B20M-060 SCREW	66	2G1-003-02	DRIVE GEAR

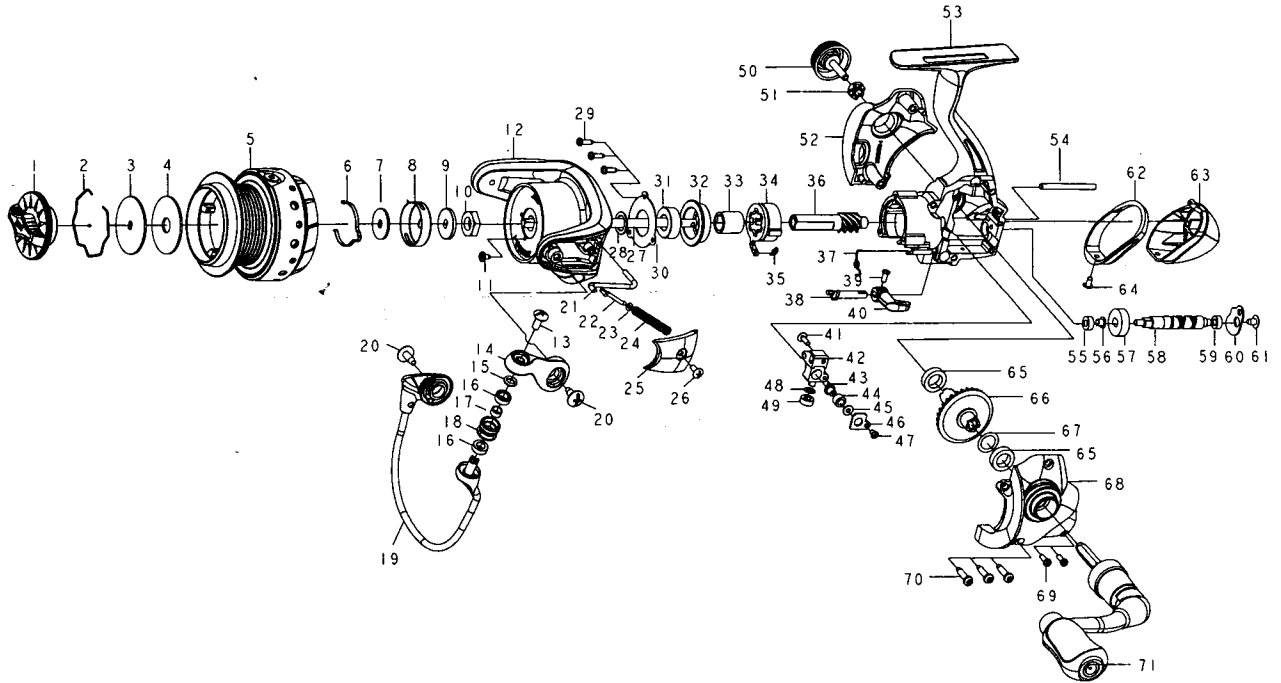


SPINNING REEL

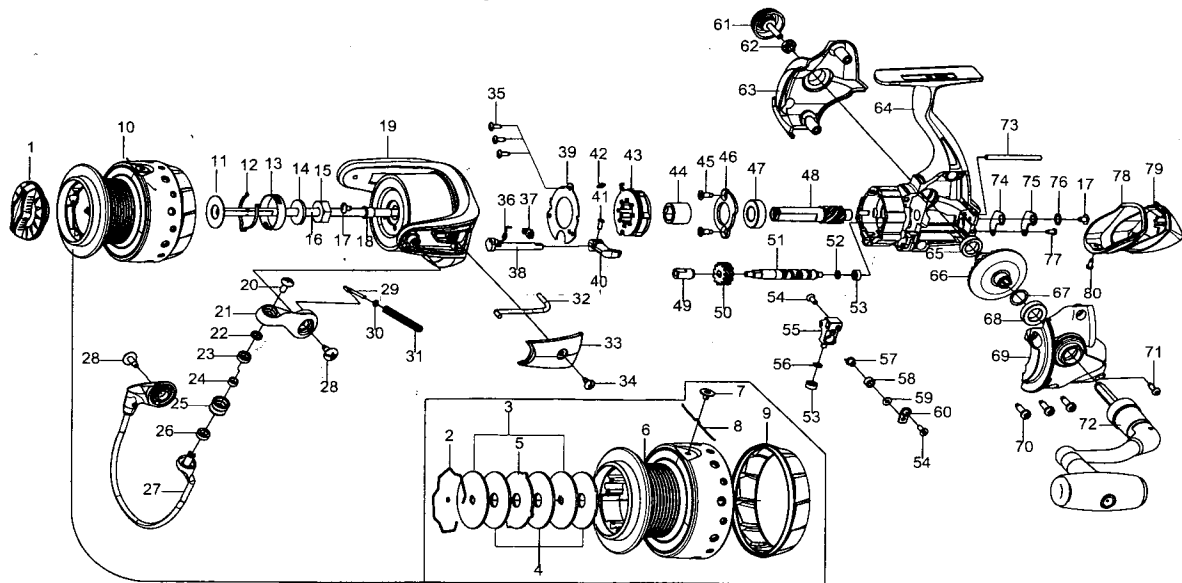
**GALANT
X-TREME**

Please order by parts number, not key number
Bitte, Best-Nr. angeben (Nicht "key" -nr.)
Veuillez indiquer le numero de la pièce (Non "key" no.)

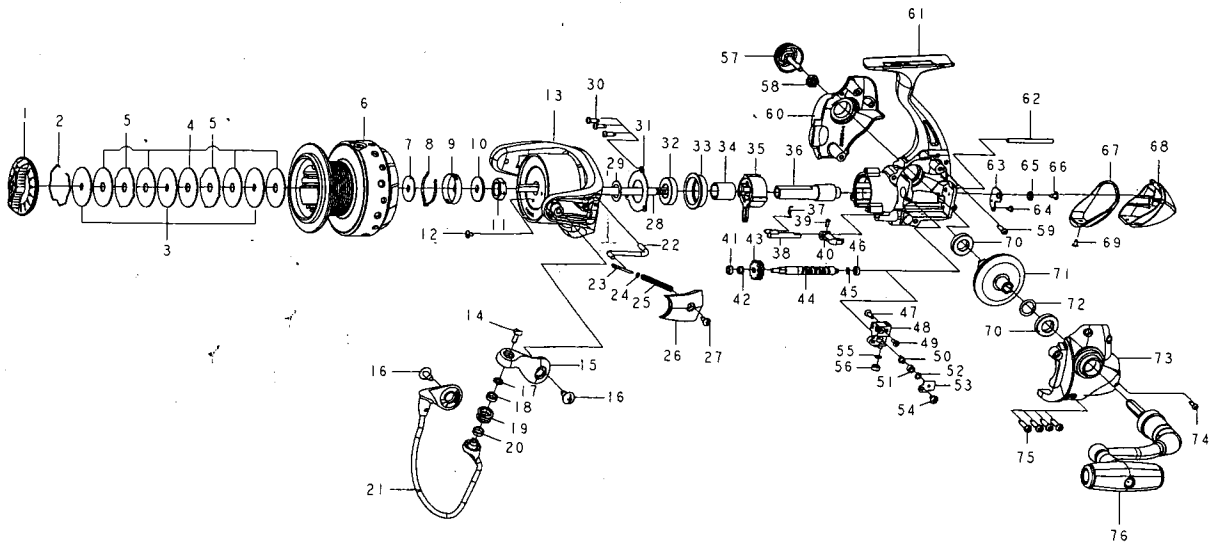
**GAAT2000H/GAAT2000
GAAT2500H/GAAT2500**



Key NO.	Parts No.	Parts name	Key NO.	Parts No.	Parts name
1	2YD-124-02	DRAG KNOB ASSEMBLY	43	2M5-001-01	LINE GUIDE PIN
2	2E4-034-01	DRAG WASHER RETAINER	44	2C2-034-01	LINE GUIDE PIN BUSH
3	2W2-071-01	KEY WASHER	45	2W1-059-01	020-049 WASHER
4	2W1-226-02	080-260 WASHER	46	2F5-048-01	OSCILLATING SLIDER COVER
5	2YT-563-01	SPOOL TOTAL ASSEMBLY	47	2E2-022-01	B20M-030 SCREW
6	2L3-014-01	CLICK LEAF SPRING	48	2W1-058-04	030-050 WASHER
7	2W2-020-01	KEY WASHER	49	2Z1-014-05	306-2.5 BALL BEARING
8	2F8-013-02	CLICK LEAF SPRING HOLDER	50	2H6-017-02	HANDLE SCREW CAP
9	2W2-015-01	KEY WASHER	51	2C3-042-01	HANDLE SCREW SLEEVE
10	2E3-007-02	ROTOR NUT	52	2B2-153-02	BODY COVER (R)
11	2E1-056-01	B20-035 SCREW	53	2B1-217-02	BODY
12	2R1-169-02	ROTOR	54	2P1-015-01	OSCILLATING SLIDER PIN
13	2E2-018-01	B30M-080 SCREW	55	2C1-048-01	WORM SHAFT COLLAR
14	2R2-084-02	BAIL ARM	56	2C2-058-01	WORM SHAFT BUSH
15	2W4-020-01	LINE ROLLER NUT SPACER	57	2G3-047-01	OSCILLATING GEAR
16	2Z1-012-05	407-2.5 BALL BEARING	58	2M4-040-02	WORM SHAFT
17	2C1-077-01	LINE ROLLER COLLAR	59	2Z1-014-05	306-2.5 BALL BEARING
18	2R6-022-02	LINE ROLLER	60	2F5-495-01	WORM SHAFT COVER
19	2YL-198-01	BAIL ASSEMBLY	61	2E1-036-01	B26-040 SCREW
20	2E1-025-01	b30-080 SCREW	62	2F6-135-02	PROOF WATER RING
21	2R5-210-01	BAIL PAWL	63	2F5-499-01	REAR COVER
22	2R5-223-01	BAIL TRIP SHAFT	64	2E1-075-01	B22-045 SCREW
23	2W1-044-01	016-035 WASHER	65	2Z1-009-05	711-3 BALL BEARING
24	2Q1-141-01	BAIL SPRING	66	2G1-056-02	DRIVE GEAR
25	2R4-236-01	BAIL SPRING COVER	67	2W1-019-00	071-103 WASHER
26	2E1-065-01	B22-065 SCREW	68	2B2-152-02	BODY COVER (L)
27	2M3-177-01	MAIN SHAFT	69	2E1-050-01	A20-060 SCREW
28	2W1-019-05	071-103 WASHER	70	2E1-055-01	A26-100 SCREW
29	2E1-050-01	A20-060 SCREW	71	2YH-520-01	HANDLE TOTAL ASSEMBLY
30	2F5-517-01	ROLLER CLUTCH RETAINER	GAAT2000 SPECIAL PARTS		
31	2Z1-003-05	714-5 BALL BEARING	5	2YT-563-02	SPOOL TOTAL ASSEMBLY
32	2C1-144-01	BUSHING	36	2G2-036-01	PINION GEAR
33	2A4-095-01	ONE-WAY CLUTCH INNER TUBE	57	2G3-012-01	WORM SHAFT GEAR
34	2YZ-034-01	ONE-WAY CLUTCH BEARING ASSEMBLY	66	2G1-003-02	DRIVE GEAR
35	2Q2-024-01	SPRING	GAAT2500H SPECIAL PARTS		
36	2G2-073-01	PINION GEAR	5	2YT-564-01	SPOOL TOTAL ASSEMBLY
37	2Q3-129-01	ANTI-REVERSE SPRING	GAAT2500 SPECIAL PARTS		
38	2A2-123-01	ANTI-REVERSE CAM	5	2YT-564-02	SPOOL TOTAL ASSEMBLY
39	2E2-099-01	B20M-050 SCREW	36	2G2-036-01	PINION GEAR
40	2A1-041-02	ANTI-REVERSE LEVER	57	2G3-012-01	WORM SHAFT GEAR
41	2E2-013-02	B20M-060 SCREW	66	2G1-003-02	DRIVE GEAR
42	2M1-022-01	OSCILLATING SLIDER			



Key NO.	Parts No.	Parts name	Key NO.	Parts No.	Parts name
1	2YD-116-02	DRAG KNOB ASSEMBLY	49	2C2-049-01	WORM SHAFT BUSH C
2	2E4-034-01	DRAG WASHER RETAINER	50	2G3-031-01	OSCILLATING GEAR
3	2W2-088-02	KEY WASHER	51	2M4-018-02	WORM SHAFT
4	2W1-263-02	070-285 WASHER	52	2W1-058-03	030-050 WASHER
5	2W3-041-01	EARED WASHER	53	2Z1-014-05	306-2.5 BALL BEARING
6	2S1-469-01	SPOOL	54	2E2-009-02	F23M-060 SCREW
7	2S4-019-01	LINE STOPPER	55	2M1-032-01	OSCILLATING SLIDER
8	2Q3-121-01	SPRING	56	2W1-058-02	030-050 WASHER
9	2S5-063-02	BOTTOM SPOOL	57	2M5-007-01	LINE GUIDE PIN
10	2YT-565-01	SPOOL TOTAL ASSEMBLY	58	2C2-034-01	LINE GUIDE PIN BUSH
11	2W2-023-02	KEY WASHER	59	2W1-058-04	030-050 WASHER
12	2L3-014-01	CLICK LEAF SPRING	60	2F5-181-01	OSCILLATING SLIDER COVER
13	2F8-013-02	CLICK LEAF SPRING HOLDER	61	2H6-017-02	HANDLE SCREW CAP
14	2W2-024-01	KEY WASHER	62	2C3-042-01	HANDLE SCREW SLEEVE
15	2E3-094-01	ROTOR NUT	63	2B2-150-02	BODY COVER (R)
16	2M3-173-01	MAIN SHAFT	64	2B1-215-02	BODY
17	2E1-036-01	B26-040 SCREW	65	2Z1-010-05	812-3.5 BALL BEARING
18	2C1-135-01	PINION GEAR BUSH	66	2G1-057-02	DRIVE GEAR
19	2R1-166-02	ROTOR	67	2W1-035-00	080-105 WASHER
20	2E2-018-01	B30M-080 SCREW	68	2Z1-023-05	814-4 BALL BEARING
21	2R2-081-02	BAIL ARM	69	2B2-149-02	BODY COVER (L)
22	2W4-020-01	LINE ROLLER NUT SPACER	70	2E1-009-01	A30-100 SCREW
23	2Z1-012-05	407-2.5 BALL BEARING	71	2E1-045-01	A26-080 SCREW
24	2C1-077-01	LINE ROLLER COLLAR	72	2YH-501-01	HANDLE TOTAL ASSEMBLY
25	2R6-022-02	LINE ROLLER	73	2P1-025-01	OSCILLATING SLIDER PIN
26	2C1-120-01	COLLAR	74	2W5-031-01	WORM SHAFT COVER GASKET
27	2YL-192-01	BAIL ASSEMBLY	75	2F5-161-01	WORM SHAFT COVER
28	2E1-025-01	b30-080 SCREW	76	2W1-124-02	045-065 WASHER
29	2R5-188-01	BAIL TRIP SHAFT	77	2E1-069-01	A20-045 SCREW
30	2W1-044-01	016-035 WASHER	78	2F6-134-02	PROOF WATER RING
31	2Q1-132-02	BAIL SPRING	79	2F5-490-01	REAR COVER
32	2R5-207-01	BAIL PAWL	80	2E1-075-01	B22-045 SCREW
33	2R4-232-01	BAIL SPRING COVER	GAAT4000 SPECIAL PARTS		
34	2E1-015-02	B26-060 SCREW	6	2S1-471-02	SPOOL
35	2E1-048-01	B22-080 SCREW	10	2YT-568-02	SPOOL TOTAL ASSEMBLY
36	2Q3-009-01	ANTI-REVERSE SPRING	48	2G2-193-01	PINION GEAR
37	2F8-079-01	ANTI-REVERSE SPRING ANCHOR	50	2G3-018-01	OSCILLATING GEAR
38	2A2-122-01	ANTI-REVERSE CAM	66	2G1-010-02	DRIVE GEAR
39	2F5-189-01	ROLLER CLUTCH RETAINER	GAAT4500H SPECIAL PARTS		
40	2A1-040-02	ANTI-REVERSE LEVER	6	2S1-472-01	SPOOL
41	2E2-099-01	B20M-050 SCREW	10	2YT-569-01	SPOOL TOTAL ASSEMBLY
42	2Q2-016-01	SPRING	GAAT4500 SPECIAL PARTS		
43	2YZ-017-01	ONE-WAY CLUTCH BEARING ASSEMBLY	6	2S1-472-02	SPOOL
44	2A4-026-01	ONE-WAY CLUTCH INNER TUBE	10	2YT-569-02	SPOOL TOTAL ASSEMBLY
45	2E1-068-01	F30-100 SCREW	48	2G2-193-01	PINION GEAR
46	2F5-203-01	BEARING RETAINER	50	2G3-018-01	OSCILLATING GEAR
47	2Z1-005-05	816-5 BALL BEARING	66	2G1-010-02	DRIVE GEAR
48	2G2-192-01	PINION GEAR			



Key NO.	Parts No.	Parts name	Key NO.	Parts No.	Parts name
1	2YD-119-02	DRAG KNOB ASSEMBLY	45	2W1-058-04	030-050 WASHER
2	2E4-034-01	DRAG WASHER RETAINER	46	2Z1-014-05	306-2.5 BALL BEARING
3	2W2-088-01	KEY WASHER	47	2E2-052-02	F26M-080 SCREW
4	2W1-263-02	070-285 WASHER	48	2M1-086-01	OSCILLATING SLIDER
5	2W3-041-01	EARED WASHER	49	2E2-009-01	F23M-060 SCREW
6	2YT-569-01	SPOOL TOTAL ASSEMBLY	50	2M5-001-01	LINE GUIDE PIN
7	2W2-093-01	KEY WASHER	51	2C2-034-02	LINE GUIDE PIN BUSH
8	2L3-018-01	CLICK LEAF SPRING	52	2W1-054-01	052-080 WASHER
9	2F8-027-05	CLICK LEAF SPRING HOLDER	53	2F5-051-01	OSCILLATING SLIDER COVER
10	2W2-019-01	KEY WASHER	54	2E2-006-03	B26M-050 SCREW
11	2E3-026-01	ROTOR NUT	55	2W1-058-03	030-050 WASHER
12	2E1-036-01	B26-040 SCREW	56	2Z1-014-05	306-2.5 BALL BEARING
13	2R1-171-02	ROTOR	57	2H6-021-01	HANDLE SCREW CAP
14	2E2-007-01	B30M-100 SCREW	58	2C3-047-01	HANDLE SCREW SLEEVE
15	2R2-085-02	BAIL ARM	59	2E1-055-01	A26-100 SCREW
16	2E1-014-01	B40-100 SCREW	60	2B2-155-02	BODY COVER (R)
17	2W4-021-01	LINE ROLLER NUT SPACER	61	2B1-218-02	BODY
18	2Z1-001-05	508-2.5 BALL BEARING	62	2P1-021-01	OSCILLATING SLIDER PIN
19	2R6-018-02	LINE ROLLER	63	2F5-068-01	WORM SHAFT COVER
20	2C1-068-01	COLLAR	64	2E1-056-01	B20-035 SCREW
21	2YL-200-01	BAIL ASSEMBLY	65	2W4-006-01	SPACER
22	2R5-212-01	BAIL PAWL	66	2E1-028-01	B26-050 SCREW
23	2R5-184-01	BAIL TRIP SHAFT	67	2F6-136-02	PROOF WATER RING
24	2W1-044-01	016-035 WASHER	68	2F5-500-01	REAR COVER
25	2Q1-143-01	BAIL SPRING	69	2E1-075-01	B22-045 SCREW
26	2R4-237-01	BAIL SPRING COVER	70	2Z1-007-05	917-4 BALL BEARING
27	2E1-016-01	B26-080 SCREW	71	2G1-029-02	DRIVE GEAR
28	2M3-178-01	MAIN SHAFT	72	2W1-014-03	091-130 WASHER
29	2W1-290-01	101-150 WASHER	73	2B2-154-02	BODY COVER (L)
30	2E1-045-01	A26-080 SCREW	74	2E1-045-01	A26-080 SCREW
31	2F5-512-01	ROLLER CLUTCH RETAINER	75	2E1-006-02	A30-130 SCREW
32	2Z1-008-05	1020-5 BALL BEARING	76	2YH-256-03	HANDLE TOTAL ASSEMBLY
33	2C1-146-01	BUSHING	GAAT5000 SPECIAL PARTS		
34	2A4-098-01	ONE-WAY CLUTCH INNER TUBE	6	2YT-569-02	SPOOL TOTAL ASSEMBLY
35	2YZ-036-01	ONE-WAY CLUTCH BEARING ASSEMBLY	36	2G2-194-01	PINION GEAR
36	2G2-190-01	PINION GEAR	43	2G3-035-01	OSCILLATING GEAR
37	2Q3-087-01	ANTI-REVERSE SPRING	71	2G1-045-02	DRIVE GEAR
38	2A2-124-01	ANTI-REVERSE CAM	GAAT6000H SPECIAL PARTS		
39	2E2-099-01	B20M-050 SCREW	6	2YT-570-01	SPOOL TOTAL ASSEMBLY
40	2A1-040-02	ANTI-REVERSE LEVER	GAAT6000 SPECIAL PARTS		
41	2C1-048-01	WORM SHAFT COLLAR	6	2YT-570-02	SPOOL TOTAL ASSEMBLY
42	2C1-046-01	COLLAR	36	2G2-194-01	PINION GEAR
43	2G3-025-01	OSCILLATING GEAR	43	2G3-035-01	OSCILLATING GEAR
44	2M4-006-02	WORM SHAFT	71	2G1-045-02	DRIVE GEAR