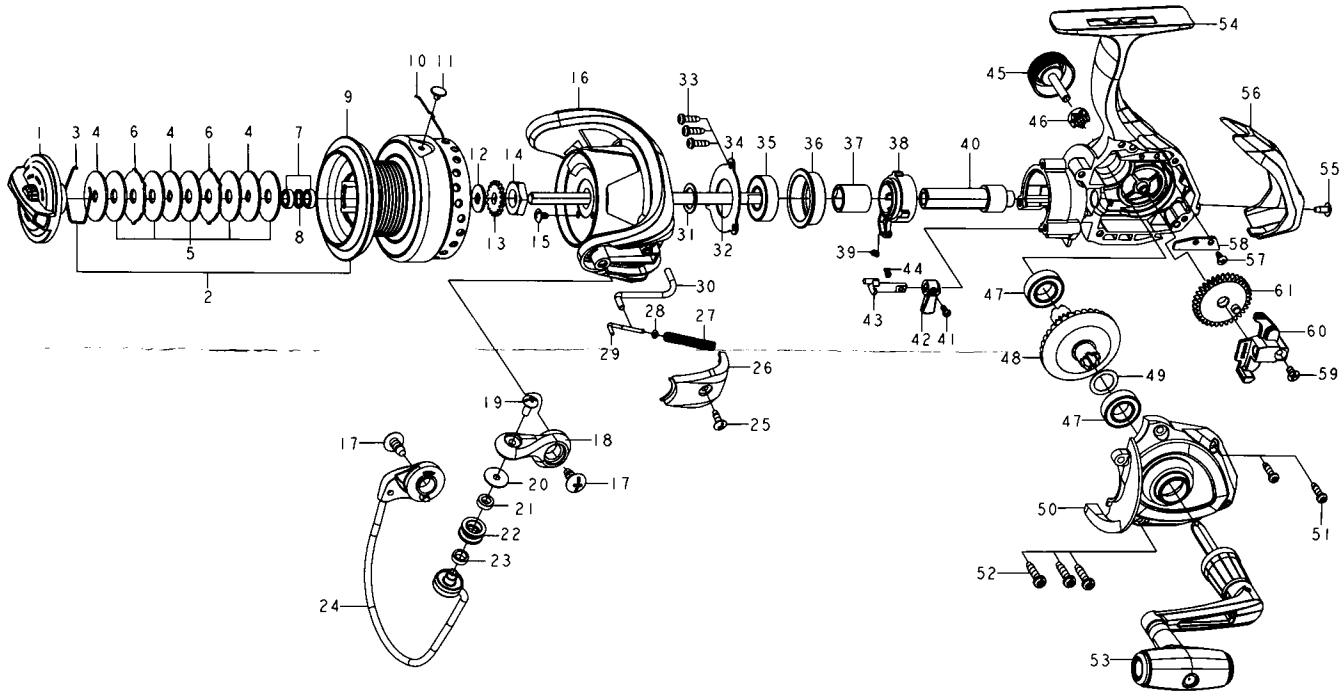
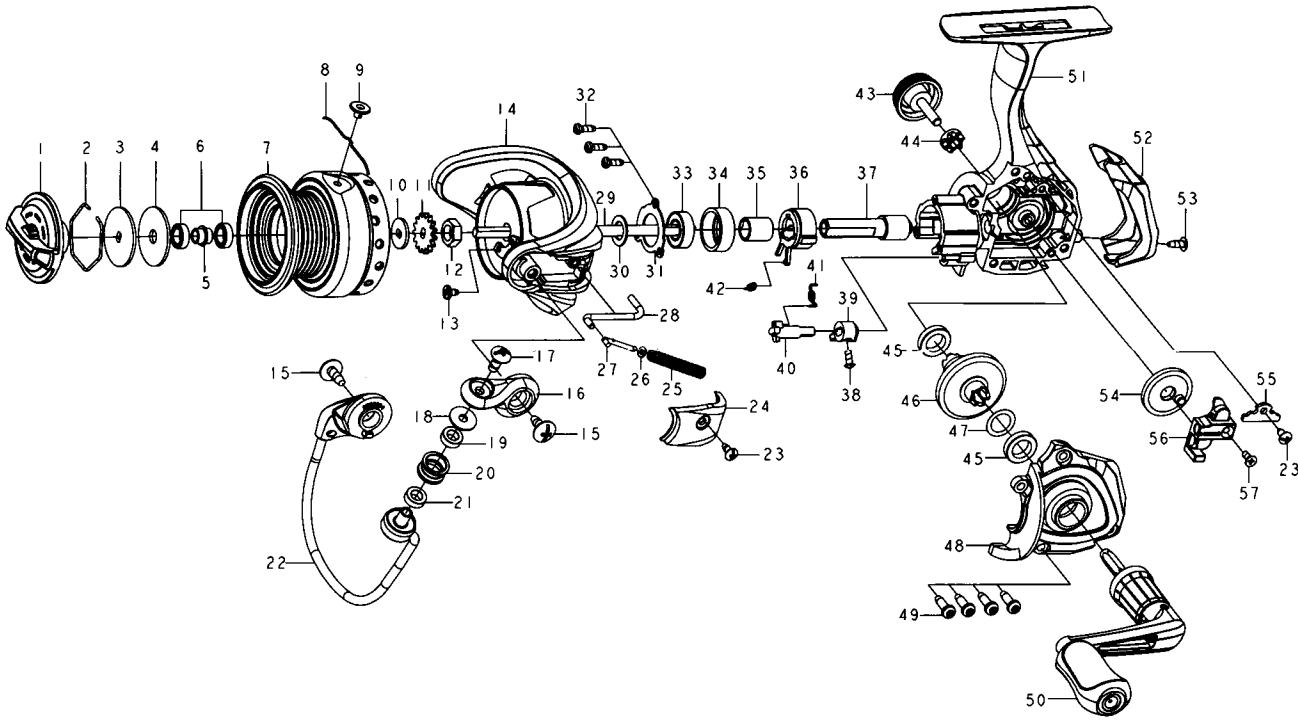


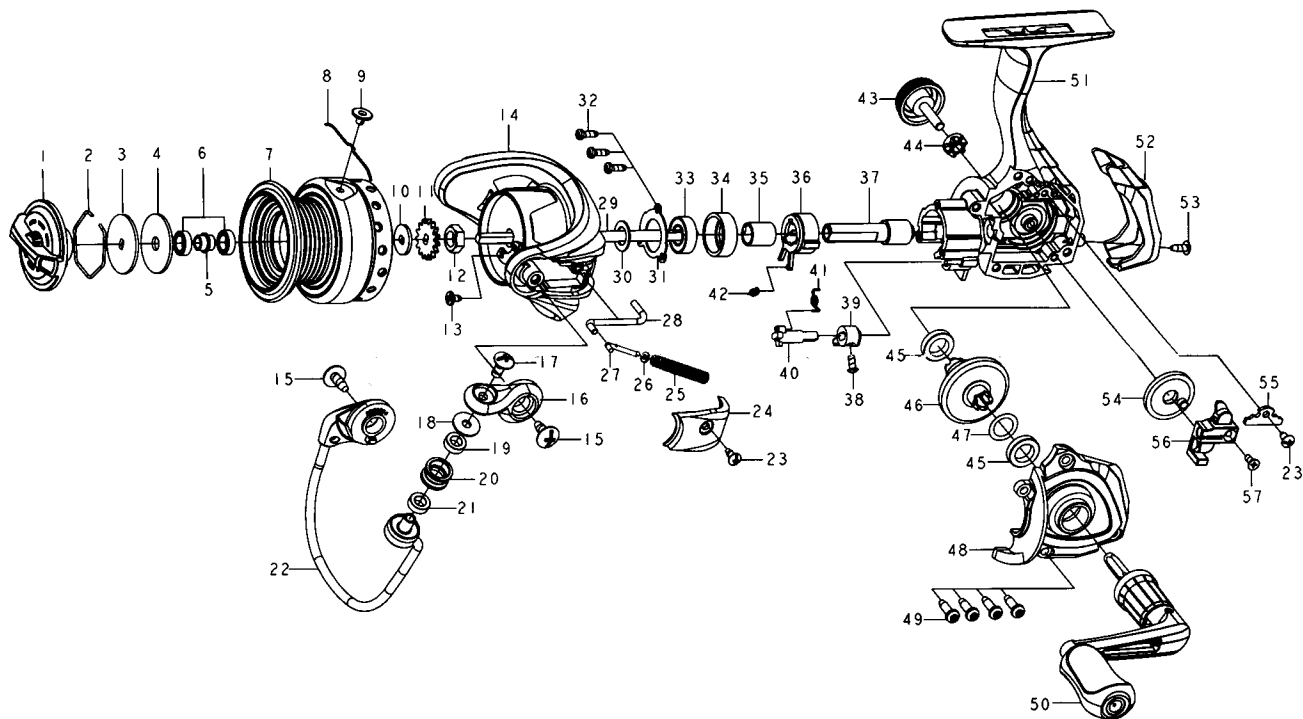
Key	Parts No.	Parts name	Key	Parts No.	Parts name
1	2YD-130-02	DRAG KNOB ASSEMBLY	33	2E1-045-01	A26-080 SCREW
2	2YT-603-52	SPOOL TOTAL ASSEMBLY	34	2Z1-005-05	816-5 BALL BEARING
3	2E4-009-01	DRAG WASHER RETAINER	35	2C1-148-02	BUSHING
4	2W2-010-02	KEY WASHER	36	2A4-082-02	ONE-WAY CLUTCH INNER TUBE
5	2W1-052-01	050-187 WASHER	37	2YZ-027-02	ONE-WAY CLUTCH BEARING ASSEMBLY
6	2W3-003-01	EARED WASHER	38	2Q2-027-01	SPRING
7	2Z1-012-07	407-2.5 BALL BEARING	39	2G2-205-01	PINION GEAR
8	2C1-059-02	SPACER	40	2A2-128-01	ANTI-REVERSE CAM
9	2S1-505-52	SPOOL	41	2Q3-087-01	ANTI-REVERSE SPRING
10	2Q3-121-01	SPRING	42	2E2-099-01	B20M-050 SCREW
11	2S4-021-01	LINE STOPPER	43	2A1-036-07	ANTI-REVERSE LEVER
12	2W2-101-04	KEY WASHER	44	2B1-249-02	BODY
13	2F3-077-03	CLICK GEAR	45	2F6-145-01	OSCILLATING SLIDER COVER
14	2E3-002-01	ROTOR NUT	46	2E1-075-01	B22-045 SCREW
15	2E1-036-01	B26-040 SCREW	47	2G3-102-01	OSCILLATING GEAR
16	2R1-187-02	ROTOR	48	2M1-089-01	OSCILLATING SILDER
17	2R5-230-01	BAIL PAWL	49	2E2-009-02	F23M-060 SCREW
18	2R5-203-01	BAIL TRIP SHAFT	50	2F5-594-02	REAR COVER
19	2Q1-141-01	BAIL SPRING	51	2E1-020-02	B22-055 SCREW
20	2R4-257-03	BAIL SPRING COVER	52	2Z1-009-05	711-3 BALL BEARING
21	2E1-070-02	B22-065 SCREW	53	2G1-069-02	DRIVE GEAR
22	2E1-025-01	b30-080 SCREW	54	2W1-019-00	071-103 WASHER
23	2R2-098-02	BAIL ARM	55	2Z1-004-05	814-3.5 BALL BEARING
24	2E2-018-01	B30M-080 SCREW	56	2B2-171-02	BODY COVER
25	2C1-034-01	LINE ROLLER COLLAR	57	2E1-055-01	A26-100 SCREW
26	2Z1-012-05	407-2.5 BALL BEARING	58	2E1-009-01	A30-100 SCREW
27	2R6-020-01	LINE ROLLER	59	2C3-042-01	HANDLE SCREW SLEEVE
28	2C2-032-01	LINE ROLLER BUSH	60	2H6-023-03	HANDLE SCREW CAP
29	2YL-219-01	BAIL ASSEMBLY	61	2YH-545-03	HANDLE TOTAL ASSEMBLY
30	2W1-291-01	081-110 WASHER	LBXT3000(A) SPECIAL PARTS		
31	2M3-197-01	MAIN SHAFT	2	2YT-604-52	SPOOL TOTAL ASSEMBLY
32	2F5-519-01	ROLLER CLUTCH RETAINER	9	2S1-506-52	SPOOL



Key	Parts No.	Parts name	Key	Parts No.	Parts name
1	2YD-132-02	DRAG KNOB ASSEMBLY	33	2E1-045-01	A26-080 SCREW
2	2YT-605-52	SPOOL TOTAL ASSEMBLY	34	2F5-512-01	ROLLER CLUTCH RETAINER
3	2E4-028-01	DRAG WASHER RETAINER	35	2Z1-045-05	920-6 BALL BEARING
4	2W2-094-01	KEY WASHER	36	2C1-147-01	BUSHING
5	2W1-094-01	060-220 WASHER	37	2A4-085-01	ONE-WAY CLUTCH INNER TUBE
6	2W3-013-01	EARED WASHER	38	2YZ-037-01	ONE-WAY CLUTCH BEARING ASSEMBLY
7	2Z1-001-07	508-2.5 BALL BEARING	39	2Q2-026-01	SPRING
8	2C1-145-01	SPACER	40	2G2-208-01	PINION GEAR
9	2S1-507-52	SPOOL	41	2E2-099-01	B20M-050 SCREW
10	2Q3-121-01	SPRING	42	2A1-037-07	ANTI-REVERSE LEVER
11	2S4-021-01	LINE STOPPER	43	2A2-127-01	ANTI-REVERSE CAM
12	2W2-102-02	KEY WASHER	44	2Q3-087-01	ANTI-REVERSE SPRING
13	2F3-086-01	CLICK GEAR	45	2H6-028-03	HANDLE SCREW CAP
14	2E3-003-01	ROTOR NUT	46	2C3-047-01	HANDLE SCREW SLEEVE
15	2E1-036-01	B26-040 SCREW	47	2Z1-035-05	917-5 BALL BEARING
16	2R1-188-02	ROTOR	48	2G1-152-02	DRIVE GEAR
17	2E1-014-01	B40-100 SCREW	49	2W1-014-00	091-130 WASHER
18	2R2-099-02	BAIL ARM	50	2B2-173-02	BODY COVER
19	2E2-018-01	B30M-080 SCREW	51	2E1-055-01	A26-100 SCREW
20	2C1-034-01	LINE ROLLER COLLAR	52	2E1-006-02	A30-130 SCREW
21	2Z1-012-05	407-2.5 BALL BEARING	53	2YH-547-03	HANDLE TOTAL ASSEMBLY
22	2R6-020-01	LINE ROLLER	54	2B1-251-02	BODY
23	2C2-032-01	LINE ROLLER BUSH	55	2E1-015-02	B26-060 SCREW
24	2YL-220-01	BAIL ASSEMBLY	56	2F5-597-02	REAR COVER
25	2E1-016-02	B26-080 SCREW	57	2E1-020-02	B22-055 SCREW
26	2R4-258-03	BAIL SPRING COVER	58	2F6-140-01	CLUTCH PAWL RETAINER
27	2Q1-024-01	BAIL SPRING	59	2E2-014-02	F26M-060 SCREW
28	2W1-044-01	016-035 WASHER	60	2M1-091-01	OSCILLATING SILDER
29	2R5-184-01	BAIL TRIP SHAFT	61	2G3-113-01	OSCILLATING GEAR
30	2R5-231-01	BAIL PAWL	LBXT5000(A) SPECIAL PARTS		
31	2W1-014-02	091-130 WASHER	2	2YT-606-52	SPOOL TOTAL ASSEMBLY
32	2M3-192-01	MAIN SHAFT	9	2S1-508-52	SPOOL



Key	Parts No.	Parts name	Key	Parts No.	Parts name
1	2YD-129-02	DRAG KNOB ASSEMBLY	30	2W1-289-01	061-100 WASHER
2	2E4-009-01	DRAG WASHER RETAINER	31	2F5-510-01	ROLLER CLUTCH RETAINER
3	2W2-095-01	KEY WASHER	32	2E1-050-01	A20-060 SCREW
4	2W1-292-02	045-196 WASHER	33	2Z1-019-05	612-4 BALL BEARING
5	2C1-118-01	SPACER	34	2C1-138-01	BUSHING
6	2Z1-001-07	508-2.5 BALL BEARING	35	2A4-092-01	ONE-WAY CLUTCH INNER TUBE
7	2S1-504-52	SPOOL	36	2YZ-032-01	ONE-WAY CLUTCH BEARING ASSEMBLY
8	2Q3-121-01	SPRING	37	2G2-198-01	PINION GEAR
9	2S4-021-01	LINE STOPPER	38	2E2-099-01	B20M-050 SCREW
10	2W2-101-02	KEY WASHER	39	2A1-036-07	ANTI-REVERSE LEVER
11	2F3-077-02	CLICK GEAR	40	2A2-118-01	ANTI-REVERSE CAM
12	2E3-001-02	ROTOR NUT	41	2Q3-087-01	ANTI-REVERSE SPRING
13	2E1-056-01	X20-035 SCREW	42	2Q2-024-01	SPRING
14	2R1-186-02	ROTOR	43	2H6-023-03	HANDLE SCREW CAP
15	2E1-025-01	b30-080 SCREW	44	2C3-042-01	HANDLE SCREW SLEEVE
16	2R2-097-02	BAIL ARM	45	2Z1-011-05	711-2.5 BALL BEARING
17	2E2-018-01	B30M-080 SCREW	46	2G1-165-02	DRIVE GEAR
18	2C1-056-01	LINE ROLLER COLLAR	47	2W1-019-00	071-103 WASHER
19	2Z1-012-05	407-2.5 BALL BEARING	48	2B2-172-02	BODY COVER
20	2R6-012-01	LINE ROLLER	49	2E1-045-01	A26-080 SCREW
21	2C2-032-01	LINE ROLLER BUSH	50	2YH-545-03	HANDLE TOTAL ASSEMBLY
22	2YL-218-01	BAIL ASSEMBLY	51	2B1-250-02	BODY
23	2E1-020-02	B22-055 SCREW	52	2F5-595-02	REAR COVER
24	2R4-256-03	BAIL SPRING COVER	53	2E1-020-02	B22-055 SCREW
25	2Q1-141-01	BAIL SPRING	54	2G3-112-01	OSCILLATING GEAR
26	2W1-044-01	016-035 WASHER	55	2F6-150-01	OSCILLATING SLIDER COVER
27	2R5-202-01	BAIL TRIP SHAFT	56	2M1-090-01	OSCILLATING SILDER
28	2R5-229-01	BAIL PAWL	57	2E2-030-01	F20M-050 SCREW
29	2M3-190-01	MAIN SHAFT			



Key	Parts No.	Parts name	Key	Parts No.	Parts name
1	2YD-129-02	DRAG KNOB ASSEMBLY	30	2W1-289-01	061-100 WASHER
2	2E4-009-01	DRAG WASHER RETAINER	31	2F5-510-01	ROLLER CLUTCH RETAINER
3	2W2-095-01	KEY WASHER	32	2E1-050-01	A20-060 SCREW
4	2W1-292-02	045-196 WASHER	33	2Z1-019-05	612-4 BALL BEARING
5	2C1-118-01	SPACER	34	2C1-138-01	BUSHING
6	2Z1-001-07	508-2.5 BALL BEARING	35	2A4-092-01	ONE-WAY CLUTCH INNER TUBE
7	2S1-504-52	SPOOL	36	2YZ-032-01	ONE-WAY CLUTCH BEARING ASSEMBLY
8	2Q3-121-01	SPRING	37	2G2-198-01	PINION GEAR
9	2S4-021-01	LINE STOPPER	38	2E2-099-01	B20M-050 SCREW
10	2W2-101-02	KEY WASHER	39	2A1-036-07	ANTI-REVERSE LEVER
11	2F3-077-02	CLICK GEAR	40	2A2-118-01	ANTI-REVERSE CAM
12	2E3-001-02	ROTOR NUT	41	2Q3-087-01	ANTI-REVERSE SPRING
13	2E1-056-01	X20-035 SCREW	42	2Q2-024-01	SPRING
14	2R1-186-02	ROTOR	43	2H6-023-03	HANDLE SCREW CAP
15	2E1-025-01	b30-080 SCREW	44	2C3-042-01	HANDLE SCREW SLEEVE
16	2R2-097-02	BAIL ARM	45	2Z1-011-05	711-2.5 BALL BEARING
17	2E2-018-01	B30M-080 SCREW	46	2G1-165-02	DRIVE GEAR
18	2C1-056-01	LINE ROLLER COLLAR	47	2W1-019-00	071-103 WASHER
19	2Z1-012-05	407-2.5 BALL BEARING	48	2B2-172-02	BODY COVER
20	2R6-012-01	LINE ROLLER	49	2E1-045-01	A26-080 SCREW
21	2C2-032-01	LINE ROLLER BUSH	50	2YH-545-03	HANDLE TOTAL ASSEMBLY
22	2YL-218-01	BAIL ASSEMBLY	51	2B1-250-02	BODY
23	2E1-020-02	B22-055 SCREW	52	2F5-595-02	REAR COVER
24	2R4-256-03	BAIL SPRING COVER	53	2E1-020-02	B22-055 SCREW
25	2Q1-141-01	BAIL SPRING	54	2G3-112-01	OSCILLATING GEAR
26	2W1-044-01	016-035 WASHER	55	2F6-150-01	OSCILLATING SLIDER COVER
27	2R5-202-01	BAIL TRIP SHAFT	56	2M1-090-01	OSCILLATING SILDER
28	2R5-229-01	BAIL PAWL	57	2E2-030-01	F20M-050 SCREW
29	2M3-190-01	MAIN SHAFT			